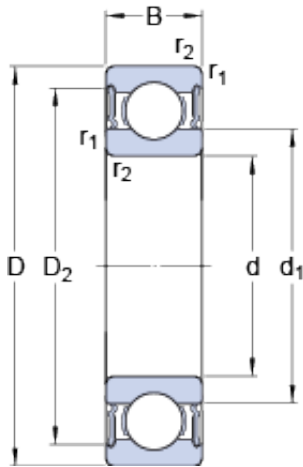




NTN-SNR BEARING RULMENTI S.R.L.



95 mm x 200 mm x 45 mm skf 6319-2RS1 Deep groove ball bearings

Bearing No. 6319-2RS1

6319-2RS1 Bearing 2D drawings and 3D CAD models

Size	200x95x45 mm
Bore Diameter	200 mm
Outer Diameter	95 mm
Width	45 mm
d	95 mm
D	200 mm
B	45 mm
d ₁	127.7 mm
D ₂	171.9 mm
r _{1,2} - min.	3 mm
d _a - min.	109 mm
d _a - max.	127 mm
D _a - max.	186 mm
r _a - max.	2.5 mm
Basic dynamic load rating - C	159 kN
Basic static load rating - C ₀	118 kN
Fatigue load limit - P _u	4.2 kN
Limiting speed	2200 r/min
Calculation factor - k _r	0.03
Calculation factor - f ₀	13.3
Category	Single Row Ball Bearings
Inventory	0.0
Manufacturer Name	SKF
Minimum Buy Quantity	N/A



NTN-SNR BEARING RULMENTI S.R.L.

Weight / Kilogram	5.787
Product Group	B00308
Enclosure	2 Seals
Precision Class	ABEC 1 ISO P0
Maximum Capacity / Filling Slot	No
Rolling Element	Ball Bearing
Snap Ring	No
Internal Special Features	No
Cage Material	Steel
Enclosure Type	Contact Seal
Internal Clearance	C0-Medium
Inch - Metric	Metric
Long Description	95MM Bore; 200MM Outside Diameter; 45MM Outer Race Width; 2 Seals; Ball Bearing; ABEC 1 ISO P0; No Filling Slot; No Snap Ring; No Internal Special Features; C0-Medium Internal Clearance; Steel Cage;
Other Features	Deep Groove NBR Seal
Category	Single Row Ball Bearing
UNSPSC	31171504
Harmonized Tariff Code	8482.10.50.68
Noun	Bearing
Keyword String	Ball
Manufacturer URL	http://www.skf.com
Manufacturer Item Number	6319-2RS1
Weight / LBS	13.0176
Inner Race Width	0 Inch 0 Millimeter
Bore	3.74 Inch 95 Millimeter
Outer Race Width	1.772 Inch 45 Millimeter
Outside Diameter	7.874 Inch 200 Millimeter



NTN-SNR BEARING RULMENTI S.R.L.

d_1	127.7 mm
D_2	171.9 mm
$r_{1,2}$ min.	3 mm
d_a min.	109 mm
d_a max.	127 mm
D_a max.	186 mm
r_a max.	2.5 mm
Basic dynamic load rating C	159 kN
Basic static load rating C_0	118 kN
Fatigue load limit P_u	4.15 kN
Calculation factor k_r	0.03
Calculation factor f_0	13.3
Mass bearing	5.85 kg