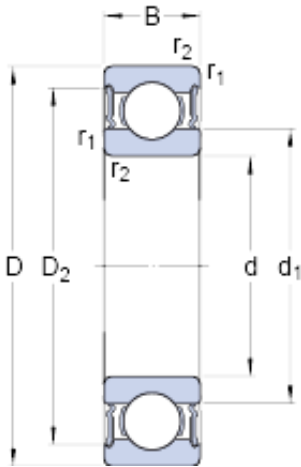




## NTN-SNR BEARING RULMENTI S.R.L.



61820-2RS1 Bearing 2D drawings and 3D CAD models

100 mm x 125 mm x 13 mm skf 61820-2RS1  
Deep groove ball bearings

Bearing No. 61820-2RS1

Size	125x100x13 mm
Bore Diameter	125 mm
Outer Diameter	100 mm
Width	13 mm
d	100 mm
D	125 mm
B	13 mm
d <sub>1</sub>	108.3 mm
D <sub>2</sub>	119.3 mm
r <sub>1,2</sub> - min.	1 mm
d <sub>a</sub> - min.	105 mm
d <sub>a</sub> - max.	107.9 mm
D <sub>a</sub> - max.	120 mm
r <sub>a</sub> - max.	1 mm
Basic dynamic load rating - C	17.8 kN
Basic static load rating - C <sub>0</sub>	18.3 kN
Fatigue load limit - P <sub>u</sub>	0.95 kN
Limiting speed	3000 r/min
Calculation factor - k <sub>r</sub>	0.015
Calculation factor - f <sub>0</sub>	13.3
Category	Single Row Ball Bearings
Inventory	0.0
Manufacturer Name	SKF
Minimum Buy Quantity	N/A



## NTN-SNR BEARING RULMENTI S.R.L.

Weight / Kilogram	0.333
EAN	7316577100498
Product Group	B00308
Enclosure	2 Seals
Precision Class	ABEC 1   ISO P0
Maximum Capacity / Filling Slot	No
Rolling Element	Ball Bearing
Snap Ring	No
Internal Special Features	No
Cage Material	Steel
Enclosure Type	Contact Seal
Internal Clearance	C0-Medium
Inch - Metric	Metric
Long Description	100MM Bore; 125MM Outside Diameter; 13MM Outer Race Diameter; 2 Seals; Ball Bearing; ABEC 1   ISO P0; No Filling Slot; No Snap Ring; No Internal Special Features
Category	Single Row Ball Bearing
UNSPSC	31171504
Harmonized Tariff Code	8482.10.50.68
Noun	Bearing
Keyword String	Ball
Manufacturer URL	<a href="http://www.skf.com">http://www.skf.com</a>
Manufacturer Item Number	61820 2RS1
Weight / LBS	0.73
Outer Race Width	0.512 Inch   13 Millimeter
Bore	3.937 Inch   100 Millimeter
Outside Diameter	4.921 Inch   125 Millimeter
bore diameter:	100 mm
static load capacity:	18.3 kN



## NTN-SNR BEARING RULMENTI S.R.L.

outside diameter:	125 mm
precision rating:	Not Rated
overall width:	13 mm
finish/coating:	Uncoated
bore type:	Round
cage material:	Steel
closure type:	Double Sealed
outer ring width:	13 mm
row type & fill slot:	Single Row Non-Fill Slot
fillet radius:	1 mm
internal clearance:	C0
maximum rpm:	3000 RPM
operating temperature range:	-40 to +210 ° F
series:	61
dynamic load capacity:	17.8 kN
$d_1$	108.3 mm
$D_2$	119.3 mm
$r_{1,2}$ min.	1 mm
$d_a$ min.	105 mm
$d_a$ max.	107.9 mm
$D_a$ max.	120 mm
$r_a$ max.	1 mm
Basic dynamic load rating C	17.8 kN
Basic static load rating $C_0$	18.3 kN
Fatigue load limit $P_u$	0.95 kN
Calculation factor $k_r$	0.015
Calculation factor $f_0$	13.3
Mass bearing	0.32 kg