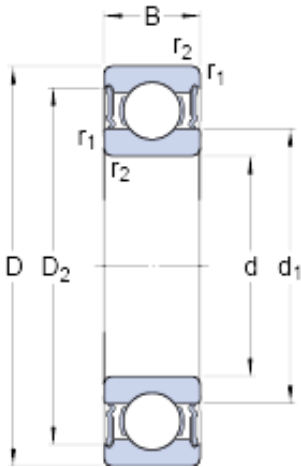




NTN-SNR BEARING RULMENTI S.R.L.



60 mm x 95 mm x 18 mm skf 6012-2RS1 Deep groove ball bearings

Bearing No. 6012-2RS1

6012-2RS1 Bearing 2D drawings and 3D CAD models

Size	95x60x18 mm
Bore Diameter	95 mm
Outer Diameter	60 mm
Width	18 mm
d	60 mm
D	95 mm
B	18 mm
d ₁	71.3 mm
D ₂	86.5 mm
r _{1,2} - min.	1.1 mm
d _a - min.	66 mm
d _a - max.	71.2 mm
D _a - max.	89 mm
r _a - max.	1 mm
Basic dynamic load rating - C	30.7 kN
Basic static load rating - C ₀	23.2 kN
Fatigue load limit - P _u	0.98 kN
Limiting speed	4300 r/min
Calculation factor - k _r	0.025
Calculation factor - f ₀	15.6
Category	Single Row Ball Bearings
Inventory	2.0
Manufacturer Name	SKF
Minimum Buy Quantity	N/A



NTN-SNR BEARING RULMENTI S.R.L.

Weight / Kilogram	0.436
EAN	7316573400882
Product Group	B00308
Enclosure	2 Seals
Precision Class	ABEC 1 ISO P0
Maximum Capacity / Filling Slot	No
Rolling Element	Ball Bearing
Snap Ring	No
Internal Special Features	No
Cage Material	Steel
Enclosure Type	Contact Seal
Internal Clearance	C0-Medium
Inch - Metric	Metric
Long Description	60MM Bore; 95MM Outside Diameter; 18MM Outer Race Diameter; 2 Seals; Ball Bearing; ABEC 1 ISO P0; No Filling Slot; No Snap Ring; No Internal Special Features
Category	Single Row Ball Bearing
UNSPSC	31171504
Harmonized Tariff Code	8482.10.50.68
Noun	Bearing
Keyword String	Ball
Manufacturer URL	http://www.skf.com
Manufacturer Item Number	6012-2RS1
Weight / LBS	0.97
Bore	2.362 Inch 60 Millimeter
Outside Diameter	3.74 Inch 95 Millimeter
Outer Race Width	0.709 Inch 18 Millimeter
bore diameter:	60 mm
static load capacity:	23.2 kN



NTN-SNR BEARING RULMENTI S.R.L.

outside diameter:	95 mm
finish/coating:	Uncoated
overall width:	18 mm
bearing material:	Steel
bore type:	Round
cage material:	Steel
closure type:	Double Sealed
fillet radius:	1.1 mm
row type & fill slot:	Single Row Non-Fill Slot
maximum rpm:	4300 rpm
snap ring included:	Without Snap Ring
weight:	0.93 lb
operating temperature range:	-40 to 212 ° F ° F
manufacturer product page:	Click here
dynamic load capacity:	30.7 kN
manufacturer upc number:	7316573400882
d_1	71.3 mm
D_2	86.5 mm
$r_{1,2}$ min.	1.1 mm
d_a min.	66 mm
d_a max.	71.2 mm
D_a max.	89 mm
r_a max.	1 mm
Basic dynamic load rating C	30.7 kN
Basic static load rating C_0	23.2 kN
Fatigue load limit P_u	0.98 kN
Calculation factor k_r	0.025
Calculation factor f_0	15.6
Mass bearing	0.43 kg