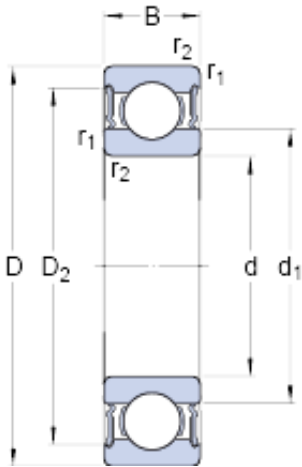




NTN-SNR BEARING RULMENTI S.R.L.



50 mm x 72 mm x 12 mm skf W 61910-2RS1
Deep groove ball bearings

Bearing No. W 61910-2RS1

W 61910-2RS1 Bearing 2D drawings and 3D CAD models

Size	72x50x12 mm
Bore Diameter	72 mm
Outer Diameter	50 mm
Width	12 mm
d	50 mm
D	72 mm
B	12 mm
d ₁	56.8 mm
D ₂	67.9 mm
r _{1,2} - min.	0.6 mm
d _a - min.	54 mm
d _a - max.	56.5 mm
D _a - max.	68.5 mm
r _a - max.	0.6 mm
Basic dynamic load rating - C	12.5 kN
Basic static load rating - C ₀	11.6 kN
Fatigue load limit - P _u	0.5 kN
Limiting speed	5600 r/min
Calculation factor - k _r	0.025
Calculation factor - f ₀	16.1
d ₁	56.8 mm
D ₂	67.9 mm
r _{1,2} min.	0.6 mm
d _a min.	54 mm



NTN-SNR BEARING RULMENTI S.R.L.

d_a max.	56.5 mm
D_a max.	68.5 mm
r_a max.	0.6 mm
Basic dynamic load rating C	12.5 kN
Basic static load rating C_0	11.6 kN
Fatigue load limit P_u	0.5 kN
Calculation factor k_r	0.025
Calculation factor f_0	16.1
Mass bearing	0.13 kg