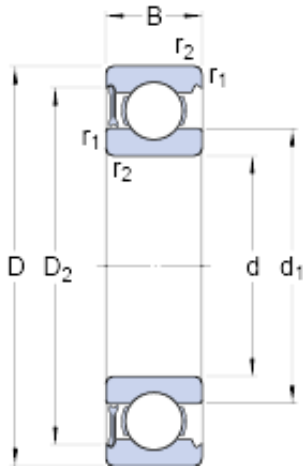




# NTN-SNR BEARING RULMENTI S.R.L.



30 mm x 72 mm x 19 mm skf 6306-RZ Deep groove ball bearings

Bearing No. 6306-RZ

6306-RZ Bearing 2D drawings and 3D CAD models

Size	72x30x19 mm
Bore Diameter	72 mm
Outer Diameter	30 mm
Width	19 mm
d	30 mm
D	72 mm
B	19 mm
d <sub>1</sub>	44.6 mm
D <sub>2</sub>	61.88 mm
r <sub>1,2</sub> - min.	1.1 mm
d <sub>a</sub> - min.	37 mm
d <sub>a</sub> - max.	44.5 mm
D <sub>a</sub> - max.	65 mm
r <sub>a</sub> - max.	1 mm
Basic dynamic load rating - C	29.6 kN
Basic static load rating - C <sub>0</sub>	16 kN
Fatigue load limit - P <sub>u</sub>	0.67 kN
Reference speed	20000 r/min
Limiting speed	13000 r/min
Calculation factor - k <sub>r</sub>	0.03
Calculation factor - f <sub>0</sub>	13
d <sub>1</sub>	44.6 mm
D <sub>2</sub>	61.88 mm
r <sub>1,2</sub> min.	1.1 mm



## NTN-SNR BEARING RULMENTI S.R.L.

$d_a$ min.	37 mm
$d_a$ max.	44.5 mm
$D_a$ max.	65 mm
$r_a$ max.	1 mm
Basic dynamic load rating C	29.6 kN
Basic static load rating $C_0$	16 kN
Fatigue load limit $P_u$	0.67 kN
Calculation factor $k_r$	0.03
Calculation factor $f_0$	13.1
Mass bearing	0.35 kg