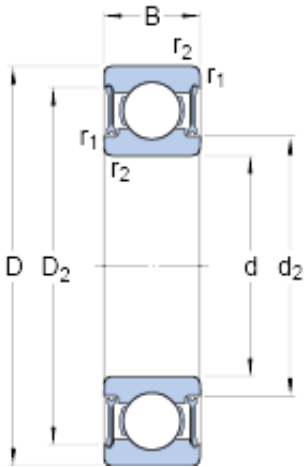




NTN-SNR BEARING RULMENTI S.R.L.



8 mm x 22 mm x 7 mm skf W 608-2RZ Deep groove ball bearings

Bearing No. W 608-2RZ

W 608-2RZ Bearing 2D drawings and 3D CAD models

Size	22x8x7 mm
Bore Diameter	22 mm
Outer Diameter	8 mm
Width	7 mm
d	8 mm
D	22 mm
B	7 mm
d ₂	10.5 mm
D ₂	19.03 mm
r _{1,2} - min.	0.3 mm
D _a - max.	20 mm
r _a - max.	0.3 mm
Basic dynamic load rating - C	2 kN
Basic static load rating - C ₀	0.78 kN
Fatigue load limit - P _u	0.034 kN
Reference speed	75000 r/min
Limiting speed	38000 r/min
Calculation factor - k _r	0.03
Calculation factor - f ₀	7.2
d ₂	10.5 mm
D ₂	19.03 mm
r _{1,2} min.	0.3 mm
d _a min.	10 mm
d _a max.	10.4 mm



NTN-SNR BEARING RULMENTI S.R.L.

D_a max.	20 mm
r_a max.	0.3 mm
Basic dynamic load rating C	1.99 kN
Basic static load rating C_0	0.78 kN
Fatigue load limit P_u	0.034 kN
Calculation factor k_r	0.03
Calculation factor f_0	7.2
Mass bearing	0.012 kg