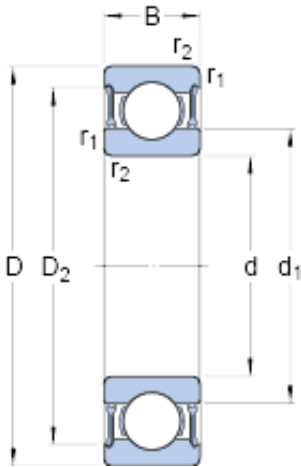




# NTN-SNR BEARING RULMENTI S.R.L.



35 mm x 55 mm x 10 mm skf W 61907-2RZ  
Deep groove ball bearings

Bearing No. W 61907-2RZ

W 61907-2RZ Bearing 2D drawings and 3D CAD models

Size	55x35x10 mm
Bore Diameter	35 mm
Outer Diameter	55 mm
Width	10 mm
d	35 mm
D	55 mm
B	10 mm
d <sub>1</sub>	42.2 mm
D <sub>2</sub>	52.15 mm
r <sub>1,2</sub> - min.	0.6 mm
D <sub>a</sub> - max.	52.5 mm
r <sub>a</sub> - max.	0.6 mm
Basic dynamic load rating - C	9.4 kN
Basic static load rating - C <sub>0</sub>	7.6 kN
Fatigue load limit - P <sub>u</sub>	0.325 kN
Reference speed	26000 r/min
Limiting speed	13000 r/min
Calculation factor - k <sub>r</sub>	0.025
Calculation factor - f <sub>0</sub>	15.7
d <sub>1</sub>	42.2 mm
D <sub>2</sub>	52.15 mm
r <sub>1,2</sub> min.	0.6 mm
d <sub>a</sub> min.	39 mm
d <sub>a</sub> max.	42 mm



## NTN-SNR BEARING RULMENTI S.R.L.

$D_a$ max.	52.5 mm
$r_a$ max.	0.6 mm
Basic dynamic load rating C	9.36 kN
Basic static load rating $C_0$	7.65 kN
Fatigue load limit $P_u$	0.325 kN
Calculation factor $k_r$	0.025
Calculation factor $f_0$	15.7
Mass bearing	0.074 kg