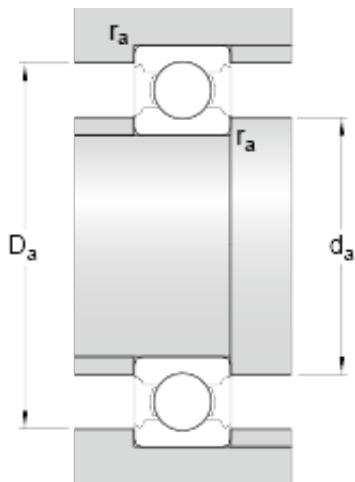




NTN-SNR BEARING RULMENTI S.R.L.



6 mm x 22 mm x 7 mm skf W 636 Deep groove ball bearings

Bearing No. W 636

d	6 mm
D	22 mm
B	7 mm
d ₂	10.5 mm
D ₂	19.03 mm
r _{1,2} min.	0.3 mm
d _a min.	8 mm
D _a max.	20 mm
r _a max.	0.3 mm
Basic dynamic load rating C	1.99 kN
Basic static load rating C ₀	0.78 kN
Fatigue load limit P _u	0.034 kN
Reference speed	75000 r/min
Limiting speed	48000 r/min
Calculation factor k _r	0.035
Calculation factor f ₀	7.2
Mass bearing	0.012 kg

W 636 Bearing 2D drawings and 3D CAD models