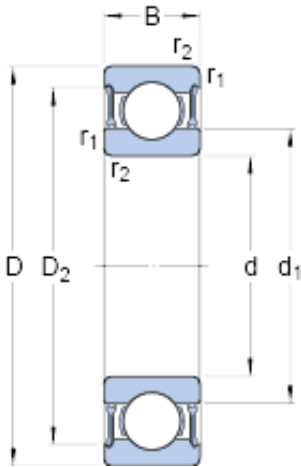




NTN-SNR BEARING RULMENTI S.R.L.



61903-2RZ Bearing 2D drawings and 3D CAD models

17 mm x 30 mm x 7 mm skf 61903-2RZ Deep groove ball bearings

Bearing No. 61903-2RZ

Size	30x17x7 mm
Bore Diameter	30 mm
Outer Diameter	17 mm
Width	7 mm
d	17 mm
D	30 mm
B	7 mm
d ₁	20.4 mm
D ₂	27.7 mm
r _{1,2} - min.	0.3 mm
d _a - min.	19 mm
d _a - max.	20.3 mm
D _a - max.	28 mm
r _a - max.	0.3 mm
Basic dynamic load rating - C	4.6 kN
Basic static load rating - C ₀	2.6 kN
Fatigue load limit - P _u	0.108 kN
Reference speed	50000 r/min
Limiting speed	26000 r/min
Calculation factor - k _r	0.02
Calculation factor - f ₀	14.7
d ₁	20.4 mm
D ₂	27.7 mm
r _{1,2} min.	0.3 mm



NTN-SNR BEARING RULMENTI S.R.L.

d_a min.	19 mm
d_a max.	20.3 mm
D_a max.	28 mm
r_a max.	0.3 mm
Basic dynamic load rating C	4.62 kN
Basic static load rating C_0	2.55 kN
Fatigue load limit P_u	0.108 kN
Calculation factor k_r	0.02
Calculation factor f_0	14.7
Mass bearing	0.018 kg