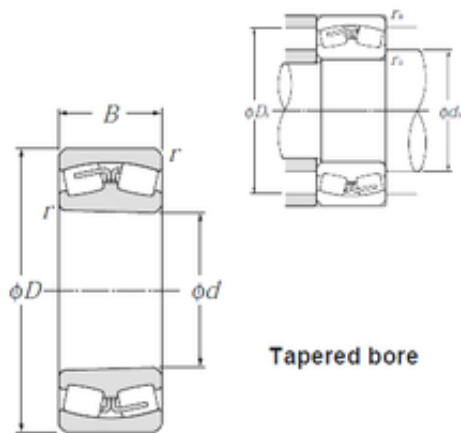




NTN-SNR BEARING RULMENTI S.R.L.



400 mm x 600 mm x 200 mm NTN 24080BK30
Double row spherical roller bearings

Bearing No. 24080BK30

24080BK30 Bearing 2D drawings and 3D CAD models

| | |
|-------------------------------|----------------|
| Size | 400x600x200 mm |
| Bore Diameter | 400 mm |
| Outer Diameter | 600 mm |
| Width | 200 mm |
| d | 400 mm |
| D | 600 mm |
| B | 200 mm |
| C | 200 mm |
| r min. | 5 mm |
| da min. | 422 mm |
| Da max. | 578 mm |
| ra max. | 4 mm |
| Weight | 200 Kg |
| Basic dynamic load rating (C) | 3 850 kN |
| Basic static load rating (C0) | 8 400 kN |
| (Grease) Lubrication Speed | 460 r/min |
| (Oil) Lubrication Speed | 600 r/min |
| Calculation factor (e) | 0,32 |
| Calculation factor (Y0) | 2,04 |
| Calculation factor (Y1) | 2,09 |
| D1 | 527.7 mm |
| rs min | 5 mm |
| Number of lubrication holes | 8 |
| b | 27 mm |
| k | 16 mm |



NTN-SNR BEARING RULMENTI S.R.L.

| | |
|---|-----------|
| e | 0.32 |
| Y1 | 2.09 |
| Y2 | 3.11 |
| Y0 | 2.04 |
| Radial clearance class | CN |
| Dynamic load, C | 3,850 kN |
| Static load, C0 | 8,400 kN |
| Fatigue limit load, Cu | 630 kN |
| Nref | 520 rpm |
| Nlim | 1,000 rpm |
| Min operating temperature, Tmin | -40 ° C |
| Max operating temperature, Tmax | 120 ° C |
| Characteristic cage frequency, FTF | 0 Hz |
| Characteristic rolling element frequency, BSF | 0 Hz |
| Characteristic outer ring frequency, BPF0 | 0 Hz |
| Characteristic inner ring frequency, BRFI | 0 Hz |
| da min | 418 mm |
| Da max | 582 mm |
| ra max | 4 mm |