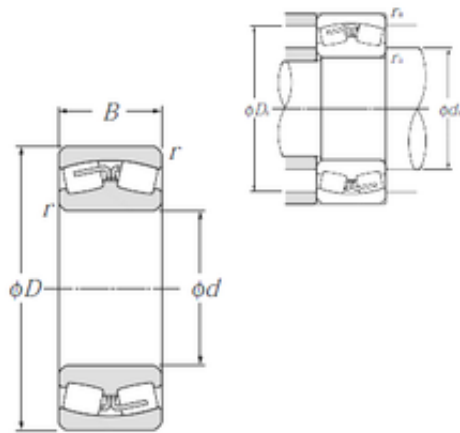




# NTN-SNR BEARING RULMENTI S.R.L.

## 480 mm x 790 mm x 308 mm NTN 24196B Double row spherical roller bearings



Bearing No. 24196B

Size	480x790x308 mm
Bore Diameter	480 mm
Outer Diameter	790 mm
Width	308 mm
d	480 mm
D	790 mm
B	308 mm
C	308 mm
r min.	7,5 mm
da min.	516 mm
Da max.	754 mm
ra max.	6 mm
Weight	608 Kg
Basic dynamic load rating (C)	7 450 kN
Basic static load rating (C0)	15 300 kN
(Grease) Lubrication Speed	350 r/min
(Oil) Lubrication Speed	450 r/min
Calculation factor (e)	0,39
Calculation factor (Y0)	1,7
Calculation factor (Y1)	1,74
d2	570 mm
D1	670.7 mm
rs min	7.5 mm
Number of lubrication holes	8
b	33 mm

24196B Bearing 2D drawings and 3D CAD models



## NTN-SNR BEARING RULMENTI S.R.L.

k	20 mm
e	0.39
Y1	1.74
Y2	2.59
Y0	1.7
Radial clearance class	CN
Dynamic load, C	7,450 kN
Static load, C0	15,300 kN
Fatigue limit load, Cu	903 kN
Nref	230 rpm
Nlim	640 rpm
Min operating temperature, Tmin	-40 ° C
Max operating temperature, Tmax	120 ° C
Characteristic cage frequency, FTF	0.44 Hz
Characteristic rolling element frequency, BSF	8.05 Hz
Characteristic outer ring frequency, BPF0	9.7 Hz
Characteristic inner ring frequency, BRFI	12.3 Hz
da min	512 mm
Da max	758 mm
ra max	6 mm