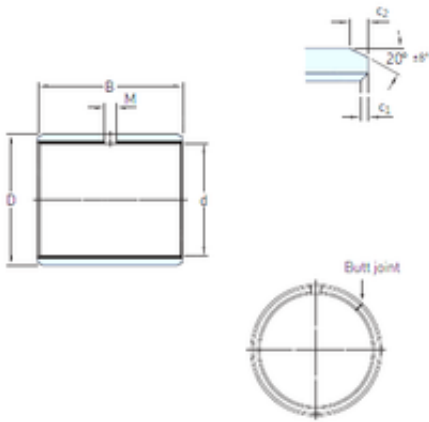




# NTN-SNR BEARING RULMENTI S.R.L.



140 mm x 145 mm x 60 mm skf PCM 14014560  
E Plain bearings, Bushings

Bearing No. PCM 14014560 E

PCM 14014560 E Bearing 2D drawings and 3D CAD models

Size	140x145x60 mm
Bore Diameter	140 mm
Outer Diameter	145 mm
Width	60 mm
d	140 mm
D	145 mm
B	60 mm
c1 min	0,2 mm
c2 min	1,2 mm
M	– mm
Weight	0,5 Kg
Basic dynamic load rating (C)	655 kN
Category	Bearings
Inventory	0.0
Manufacturer Name	SKF
Minimum Buy Quantity	N/A
Weight / Kilogram	0.494
Product Group	B04264
c <sub>1</sub> min.	0.2 mm
c <sub>1</sub> max.	1 mm
c <sub>2</sub> min.	1.2 mm
c <sub>2</sub> max.	2.4 mm
± 8	20 °
Tolerance shaft	h8
Tolerance housing	H7



## NTN-SNR BEARING RULMENTI S.R.L.

Basic dynamic load rating - radial direction C	655 kN
Basic static load rating - radial direction C <sub>0</sub>	2040 kN
Specific dynamic load factor K	80 N/mm <sup>2</sup>
Specific static load factor K <sub>0</sub>	250 N/mm <sup>2</sup>
Factor depending on material and bearing type K <sub>M</sub>	480
Permissible sliding velocity v min.	0 m/s
Permissible sliding velocity v max.	2 m/s
Coefficient of friction μ min.	0.03
Coefficient of friction μ max.	0.25
Mass bushing	0.5 kg