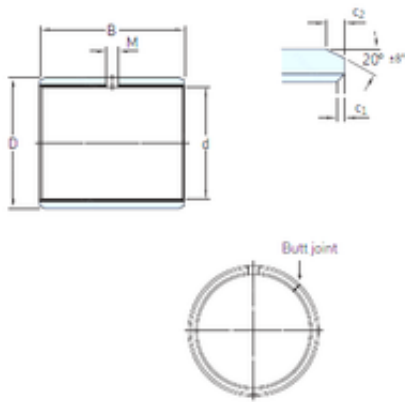




# NTN-SNR BEARING RULMENTI S.R.L.



22,225 mm x 25,4 mm x 19,05 mm skf PCZ 1412 E Plain bearings, Bushings

Bearing No. PCZ 1412 E

PCZ 1412 E Bearing 2D drawings and 3D CAD models

|  |                      |
|--|----------------------|
| Size   | 22.225x25.4x19.05 mm |
| Bore Diameter  | 22,225 mm            |
| Outer Diameter   | 25,4 mm              |
| Width  | 19,05 mm             |
| d  | 22,225 mm            |
| D  | 25,4 mm              |
| B  | 19,05 mm             |
| c1 min   | 0,1 mm               |
| c2 min   | 0,2 mm               |
| M  | – mm                 |
| Weight   | 0,017 Kg             |
| Basic dynamic load rating (C)                              | 32,5 kN              |
| c <sub>1</sub> min.  | 0.1 mm               |
| c <sub>1</sub> max.  | 0.7 mm               |
| c <sub>2</sub> min.  | 0.2 mm               |
| c <sub>2</sub> max.  | 1 mm                 |
| ± 8  | 20 °                 |
| Shaft diameter range min.                                  | 22.172 mm            |
| Shaft diameter range max.                                  | 22.202 mm            |
| Housing bore range min.                                    | 25.392 mm            |
| Housing bore range max.                                    | 25.413 mm            |
| Basic dynamic load rating - radial direction C             | 32.5 kN              |
| Basic static load rating - radial direction C <sub>0</sub> | 102 kN               |
|  |                      |



## NTN-SNR BEARING RULMENTI S.R.L.

|  |                       |
|--|-----------------------|
| Specific dynamic load factor<br>K                                  | 80 N/mm <sup>2</sup>  |
| Specific static load factor K <sub>0</sub>                         | 250 N/mm <sup>2</sup> |
| Factor depending on<br>material and bearing type<br>K <sub>M</sub> | 480                   |
| Permissible sliding velocity v<br>min.                             | 0 m/s                 |
| Permissible sliding velocity v<br>max.                             | 2 m/s                 |
| Coefficient of friction μ<br>min.                                  | 0.03                  |
| Coefficient of friction μ<br>max.                                  | 0.25                  |
| Mass bushing   | 0.017 kg              |