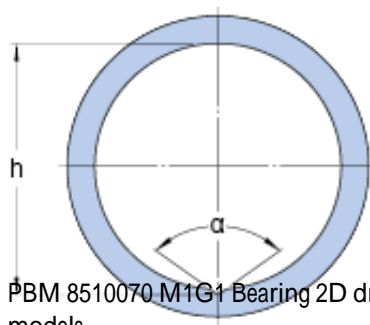
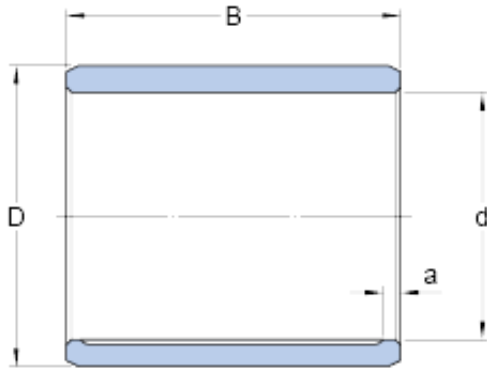




NTN-SNR BEARING RULMENTI S.R.L.



PBM 8510070 M1G1 Bearing 2D drawings and 3D CAD models

85 mm x 100 mm x 70 mm skf PBM 8510070
M1G1 Plain bearings, Bushings

Bearing No. PBM 8510070 M1G1

d	85 mm
D	100 mm
B	70 mm
a	3.5 mm
h	86.5 mm
	124 °
Tolerance shaft	e7
Tolerance housing	H7
Specific dynamic load factor K	25 N/mm ²
Specific static load factor K ₀	45 N/mm ²
Permissible sliding velocity v min.	0 m/s
Permissible sliding velocity v max.	0.5 m/s
Coefficient of friction μ min.	0.08
Coefficient of friction μ max.	0.15
Mass bushing	1.35 kg