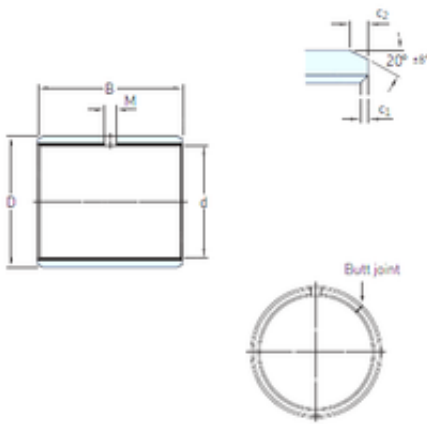




# NTN-SNR BEARING RULMENTI S.R.L.

8 mm x 10 mm x 12 mm skf PCM 081012 E

Plain bearings, Bushings



Bearing No. PCM 081012 E

Size	8x10x12 mm
Bore Diameter	8 mm
Outer Diameter	10 mm
Width	12 mm
d	8 mm
D	10 mm
B	12 mm
c1 min	0,1 mm
c2 min	0,2 mm
M	– mm
Weight	0,0025 Kg
Basic dynamic load rating (C)	7,65 kN
c <sub>1</sub> min.	0.1 mm
c <sub>1</sub> max.	0.6 mm
c <sub>2</sub> min.	0.2 mm
c <sub>2</sub> max.	1 mm
± 8	20 °
Tolerance shaft	f7
Tolerance housing	H7
Basic dynamic load rating - radial direction C	7.65 kN
Basic static load rating - radial direction C <sub>0</sub>	24 kN
Specific dynamic load factor K	80 N/mm <sup>2</sup>
Specific static load factor K <sub>0</sub>	250 N/mm <sup>2</sup>

PCM 081012 E Bearing 2D drawings and 3D CAD models



## NTN-SNR BEARING RULMENTI S.R.L.

Factor depending on material and bearing type $K_M$	480
Permissible sliding velocity $v$ min.	0 m/s
Permissible sliding velocity $v$ max.	2 m/s
Coefficient of friction $\mu$ min.	0.03
Coefficient of friction $\mu$ max.	0.25
Mass bushing	0.0025 kg