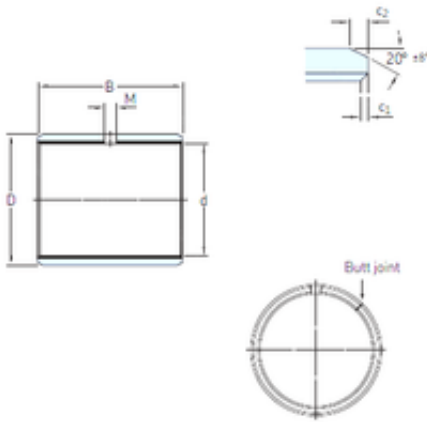




NTN-SNR BEARING RULMENTI S.R.L.



8 mm x 10 mm x 12 mm skf PCM 081012 M
Plain bearings, Bushings

Bearing No. PCM 081012 M

PCM 081012 M Bearing 2D drawings and 3D CAD models

Size	8x10x12 mm
Bore Diameter	8 mm
Outer Diameter	10 mm
Width	12 mm
d	8 mm
D	10 mm
B	12 mm
c1 min	0,1 mm
c2 min	0,2 mm
M	– mm
Weight	0,0019 Kg
Basic dynamic load rating (C)	11,6 kN
Category	Plain Bearings
Inventory	0.0
Manufacturer Name	SKF
Minimum Buy Quantity	N/A
Weight / Kilogram	0.107
Product Group	B04264
c ₁ min.	0.1 mm
c ₁ max.	0.6 mm
c ₂ min.	0.2 mm
c ₂ max.	1 mm
± 8	20 °
Tolerance shaft	h8
Tolerance housing	H7



NTN-SNR BEARING RULMENTI S.R.L.

Basic dynamic load rating - radial direction C	11.6 kN
Basic static load rating - radial direction C ₀	24 kN
Specific dynamic load factor K	120 N/mm ²
Specific static load factor K ₀	250 N/mm ²
Factor depending on material and bearing type K _M	1900
Permissible sliding velocity v min.	0 m/s
Permissible sliding velocity v max.	2.5 m/s
Coefficient of friction μ min.	0.02
Coefficient of friction μ max.	0.2
Mass bushing	0.0019 kg