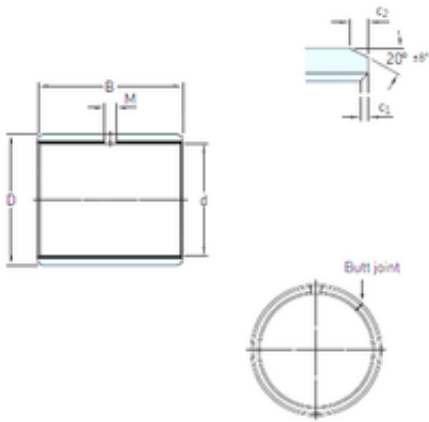




# NTN-SNR BEARING RULMENTI S.R.L.



25 mm x 28 mm x 25 mm skf PCM 252825 E  
Plain bearings, Bushings

Bearing No. PCM 252825 E

PCM 252825 E Bearing 2D drawings and 3D CAD models

Size	25x28x25 mm
Bore Diameter	25 mm
Outer Diameter	28 mm
Width	25 mm
d	25 mm
D	28 mm
B	25 mm
c1 min	0,1 mm
c2 min	0,2 mm
M	– mm
Weight	0,023 Kg
Basic dynamic load rating (C)	48 kN
c <sub>1</sub> min.	0.1 mm
c <sub>1</sub> max.	0.7 mm
c <sub>2</sub> min.	0.2 mm
c <sub>2</sub> max.	1 mm
± 8	20 °
Tolerance shaft	f7
Tolerance housing	H7
Basic dynamic load rating - radial direction C	48 kN
Basic static load rating - radial direction C <sub>0</sub>	150 kN
Specific dynamic load factor K	80 N/mm <sup>2</sup>
Specific static load factor K <sub>0</sub>	250 N/mm <sup>2</sup>



## NTN-SNR BEARING RULMENTI S.R.L.

Factor depending on material and bearing type $K_M$	480
Permissible sliding velocity $v$ min.	0 m/s
Permissible sliding velocity $v$ max.	2 m/s
Coefficient of friction $\mu$ min.	0.03
Coefficient of friction $\mu$ max.	0.25
Mass bushing	0.023 kg