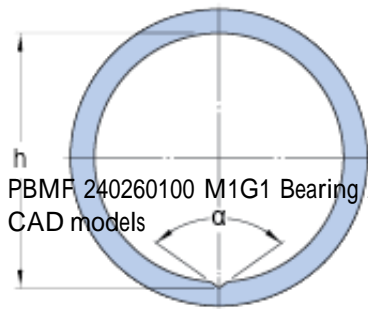
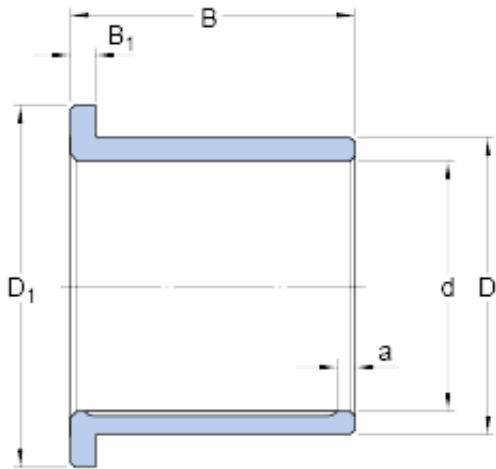




# NTN-SNR BEARING RULMENTI S.R.L.



PBMF 240260100 M1G1 Bearing 2D drawings and 3D CAD models

240 mm x 260 mm x 100 mm skf PBMF  
240260100 M1G1 Plain bearings, Bushings

Bearing No. PBMF 240260100 M1G1

d	240 mm
D	260 mm
B	100 mm
D <sub>1</sub>	275 mm
B <sub>1</sub>	10 mm
a	5 mm
h	242.5 mm
	124 °
Tolerance shaft	e7
Tolerance housing	H7
Specific dynamic load factor K	25 N/mm <sup>2</sup>
Specific static load factor K <sub>0</sub>	45 N/mm <sup>2</sup>
Permissible sliding velocity v min.	0 m/s
Permissible sliding velocity v max.	0.5 m/s
Coefficient of friction μ min.	0.08
Coefficient of friction μ max.	0.15
Mass bushing	6.94 kg