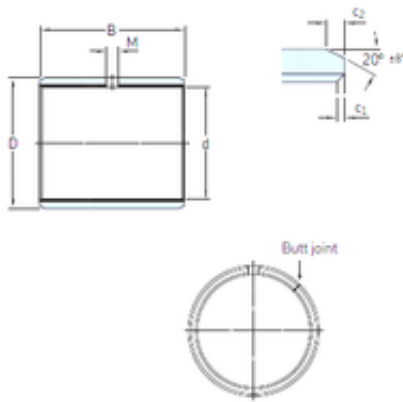




NTN-SNR BEARING RULMENTI S.R.L.



69,85 mm x 74,613 mm x 63,5 mm skf PCZ 4440
E Plain bearings, Bushings

Bearing No. PCZ 4440 E

PCZ 4440 E Bearing 2D drawings and 3D CAD models

Size	69.85x74.613x63.5 mm
Bore Diameter	69,85 mm
Outer Diameter	74,613 mm
Width	63,5 mm
d	69,85 mm
D	74,613 mm
B	63,5 mm
c1 min	0,2 mm
c2 min	1,2 mm
M	– mm
Weight	0,26 Kg
Basic dynamic load rating (C)	355 kN
c ₁ min.	0.2 mm
c ₁ max.	1 mm
c ₂ min.	1.2 mm
c ₂ max.	2.4 mm
± 8	20 °
Shaft diameter range min.	69.804 mm
Shaft diameter range max.	69.85 mm
Housing bore range min.	74.569 mm
Housing bore range max.	74.6 mm
Basic dynamic load rating - radial direction C	355 kN
Basic static load rating - radial direction C ₀	1100 kN



NTN-SNR BEARING RULMENTI S.R.L.

Specific dynamic load factor K	80 N/mm ²
Specific static load factor K ₀	250 N/mm ²
Factor depending on material and bearing type K _M	480
Permissible sliding velocity v min.	0 m/s
Permissible sliding velocity v max.	2 m/s
Coefficient of friction μ min.	0.03
Coefficient of friction μ max.	0.25
Mass bushing	0.26 kg