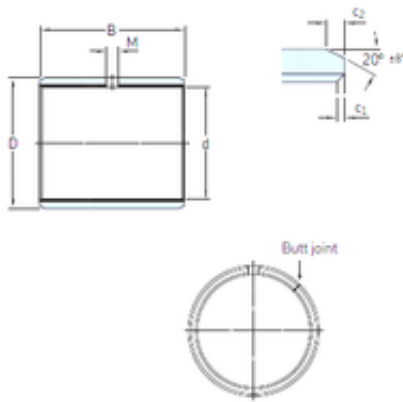




# NTN-SNR BEARING RULMENTI S.R.L.



12,7 mm x 15,081 mm x 15,875 mm skf PCZ  
0810 M Plain bearings, Bushings

Bearing No. PCZ 0810 M

PCZ 0810 M Bearing 2D drawings and 3D CAD models

Size	12.7x15.081x15.875 mm
Bore Diameter	12,7 mm
Outer Diameter	15,081 mm
Width	15,875 mm
d	12,7 mm
D	15,081 mm
B	15,875 mm
c1 min	0,1 mm
c2 min	0,2 mm
M	3 mm
Weight	0,0049 Kg
Basic dynamic load rating (C)	24 kN
c <sub>1</sub> min.	0.1 mm
c <sub>1</sub> max.	0.6 mm
c <sub>2</sub> min.	0.2 mm
c <sub>2</sub> max.	1 mm
± 8	20 °
Shaft diameter range min.	12.413 mm
Shaft diameter range max.	12.438 mm
Housing bore range min.	15.08 mm
Housing bore range max.	15.098 mm
Basic dynamic load rating - radial direction C	24 kN
Basic static load rating - radial direction C <sub>0</sub>	50 kN



## NTN-SNR BEARING RULMENTI S.R.L.

Specific dynamic load factor K	120 N/mm <sup>2</sup>
Specific static load factor K <sub>0</sub>	250 N/mm <sup>2</sup>
Factor depending on material and bearing type K <sub>M</sub>	1900
Permissible sliding velocity v min.	0 m/s
Permissible sliding velocity v max.	2.5 m/s
Coefficient of friction μ min.	0.02
Coefficient of friction μ max.	0.2
Mass bushing	0.0049 kg