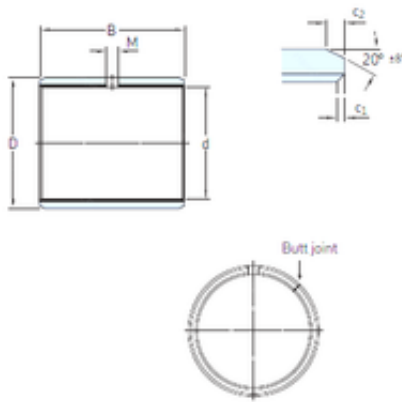




# NTN-SNR BEARING RULMENTI S.R.L.



19.05 mm x 22,225 mm x 12,7 mm skf PCZ 1208  
M Plain bearings, Bushings

Bearing No. PCZ 1208 M

PCZ 1208 M Bearing 2D drawings and 3D CAD models

Size	19.05x22.225x12.7 mm
Bore Diameter	19.05 mm
Outer Diameter	22,225 mm
Width	12,7 mm
d	19.05 mm
D	22,225 mm
B	12,7 mm
c1 min	0,1 mm
c2 min	0,2 mm
M	3 mm
Weight	0,0084 Kg
Basic dynamic load rating (C)	27 kN
c <sub>1</sub> min.	0.1 mm
c <sub>1</sub> max.	0.7 mm
c <sub>2</sub> min.	0.2 mm
c <sub>2</sub> max.	1 mm
± 8	20 °
Shaft diameter range min.	18.74 mm
Shaft diameter range max.	18.771 mm
Housing bore range min.	22.225 mm
Housing bore range max.	22.245 mm
Basic dynamic load rating - radial direction C	27 kN
Basic static load rating - radial direction C <sub>0</sub>	56 kN



## NTN-SNR BEARING RULMENTI S.R.L.

Specific dynamic load factor K	120 N/mm <sup>2</sup>
Specific static load factor K <sub>0</sub>	250 N/mm <sup>2</sup>
Factor depending on material and bearing type K <sub>M</sub>	1900
Permissible sliding velocity v min.	0 m/s
Permissible sliding velocity v max.	2.5 m/s
Coefficient of friction $\mu$ min.	0.02
Coefficient of friction $\mu$ max.	0.2
Mass bushing	0.0084 kg