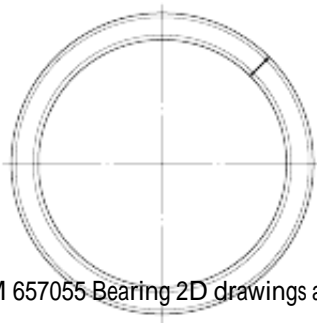
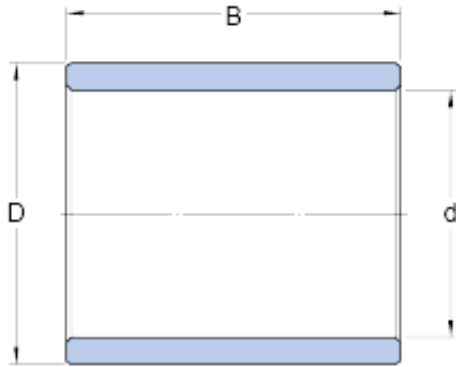




NTN-SNR BEARING RULMENTI S.R.L.



PRM 657055 Bearing 2D drawings and 3D CAD models

65 mm x 70 mm x 55 mm skf PRM 657055 Plain bearings, Bushings

Bearing No. PRM 657055

d	65 mm
D	70 mm
B	55 mm
Tolerance shaft	f7 m/s
Tolerance housing	H7 m/s
Specific dynamic load factor K	40 N/mm ²
Specific static load factor K ₀	120 N/mm ²
Permissible sliding velocity v min.	0 m/s
Permissible sliding velocity v max.	1 m/s
Coefficient of friction μ min.	0.08
Coefficient of friction μ max.	0.15
Mass bushing	0.26 kg