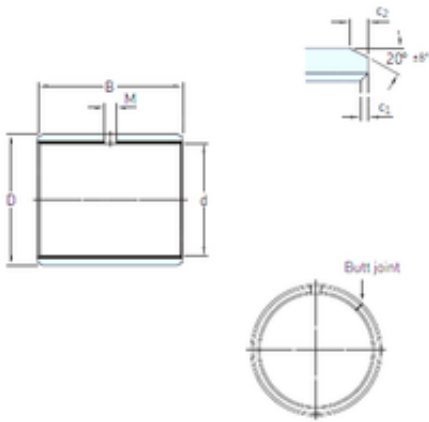




NTN-SNR BEARING RULMENTI S.R.L.

40 mm x 44 mm x 50 mm skf PCM 404450 E
Plain bearings, Bushings



Bearing No. PCM 404450 E

Size	40x44x50 mm
Bore Diameter	40 mm
Outer Diameter	44 mm
Width	50 mm
d	40 mm
D	44 mm
B	50 mm
c1 min	0,1 mm
c2 min	0,8 mm
M	– mm
Weight	0,098 Kg
Basic dynamic load rating (C)	156 kN
c ₁ min.	0.1 mm
c ₁ max.	0.7 mm
c ₂ min.	0.8 mm
c ₂ max.	1.6 mm
± 8	20 °
Tolerance shaft	f7
Tolerance housing	H7
Basic dynamic load rating - radial direction C	156 kN
Basic static load rating - radial direction C ₀	490 kN
Specific dynamic load factor K	80 N/mm ²
Specific static load factor K ₀	250 N/mm ²

PCM 404450 E Bearing 2D drawings and 3D CAD models



NTN-SNR BEARING RULMENTI S.R.L.

Factor depending on material and bearing type K_M	480
Permissible sliding velocity v min.	0 m/s
Permissible sliding velocity v max.	2 m/s
Coefficient of friction μ min.	0.03
Coefficient of friction μ max.	0.25
Mass bushing	0.098 kg