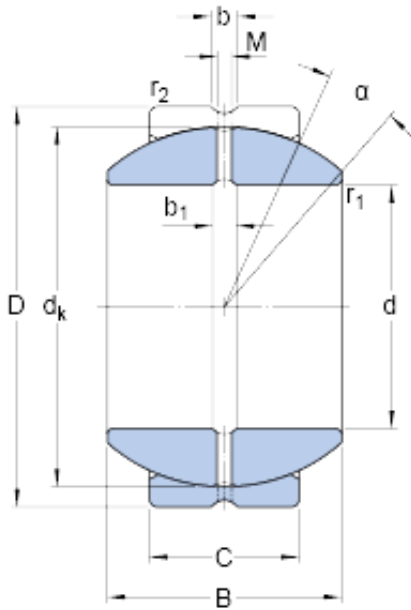




# NTN-SNR BEARING RULMENTI S.R.L.

95.25 mm x 158.75 mm x 94.945 mm skf GEZH 312 ES Radial spherical plain bearings



GEZH 312 ES Bearing 2D drawings and 3D CAD models

Bearing No. GEZH 312 ES

Size	158.75x95.25x94.945 mm
Bore Diameter	158,75 mm
Outer Diameter	95,25 mm
Width	94,945 mm
d	95.25 mm
D	158.75 mm
B	94.945 mm
C	76.2 mm
	9 °
d <sub>k</sub>	146.05 mm
b	10.5 mm
b <sub>1</sub>	10 mm
M	8 mm
r <sub>1</sub> - min.	2 mm
r <sub>2</sub> - min.	1 mm
d <sub>a</sub> - min.	105.8 mm
d <sub>a</sub> - max.	110.9 mm
D <sub>a</sub> - min.	139 mm
D <sub>a</sub> - max.	152.5 mm
r <sub>a</sub> - max.	2 mm
r <sub>b</sub> - max.	1 mm
Basic dynamic load rating - C	900 kN
Basic static load rating - C <sub>0</sub>	2650 kN
Specific factor dinamic load - K	100 N/mm <sup>2</sup>



## NTN-SNR BEARING RULMENTI S.R.L.

Specific factor static load - $K_0$	300 N/mm <sup>2</sup>
Constant - $K_M$	330
Lubricant	Regular relubrication – grease
Design (sliding contact surface combination)	Steel/steel
Sealing solution	-
	9 °
$d_k$	146.05 mm
$b_1$	10 mm
$r_1$ min.	2 mm
$r_2$ min.	1 mm
$d_a$ min.	105.8 mm
$d_a$ max.	110.9 mm
$D_a$ min.	139 mm
$D_a$ max.	152.5 mm
$r_a$ max.	2 mm
$r_b$ max.	1 mm
Basic dynamic load rating C	900 kN
Basic static load rating $C_0$	2650 kN
Specific dynamic load factor K	100 N/mm <sup>2</sup>
Specific static load factor $K_0$	300 N/mm <sup>2</sup>
Material constant $K_M$	330
Mass plain bearing	8.1 kg