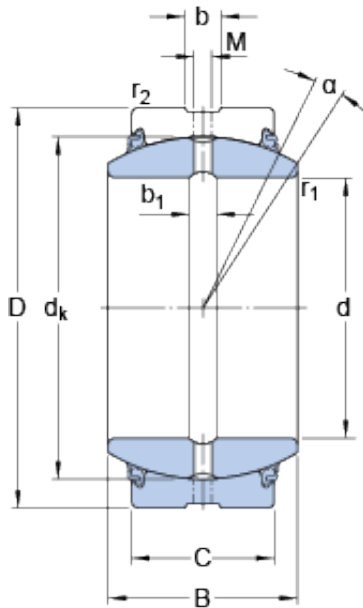




NTN-SNR BEARING RULMENTI S.R.L.



GE 140 ES-2LS Bearing 2D drawings and 3D CAD models

140 mm x 210 mm x 90 mm skf GE 140 ES-2LS
Radial spherical plain bearings

Bearing No. GE 140 ES-2LS

Size	210x140x90 mm
Bore Diameter	210 mm
Outer Diameter	140 mm
Width	90 mm
d	140 mm
D	210 mm
B	90 mm
C	70 mm
	7 °
d _k	180 mm
d ₁	180 mm
b	13.5 mm
b ₁	13.5 mm
M	6 mm
r ₁ - min.	1 mm
r ₂ - min.	1 mm
d _a - min.	149 mm
d _a - max.	155.5 mm
D _a - min.	180 mm
D _a - max.	202.5 mm
r _a - max.	1 mm
r _b - max.	1 mm
Basic dynamic load rating - C	1080 kN
Basic static load rating - C ₀	5400 kN



NTN-SNR BEARING RULMENTI S.R.L.

Specific factor dynamic load - K	100 N/mm ²
Specific factor static load - K ₀	500 N/mm ²
Constant - K _M	330
Lubricant	Regular relubrication – grease
Design (sliding contact surface combination)	Steel/steel
Sealing solution	Triple-lip seals
	7 °
d _k	180 mm
b ₁	13.5 mm
r ₁ min.	1 mm
r ₂ min.	1 mm
d _a min.	149 mm
d _a max.	155.5 mm
D _a min.	180 mm
D _a max.	202.5 mm
r _a max.	1 mm
r _b max.	1 mm
Basic dynamic load rating C	1080 kN
Basic static load rating C ₀	5400 kN
Specific dynamic load factor K	100 N/mm ²
Specific static load factor K ₀	500 N/mm ²
Material constant K _M	330
Mass plain bearing	11 kg