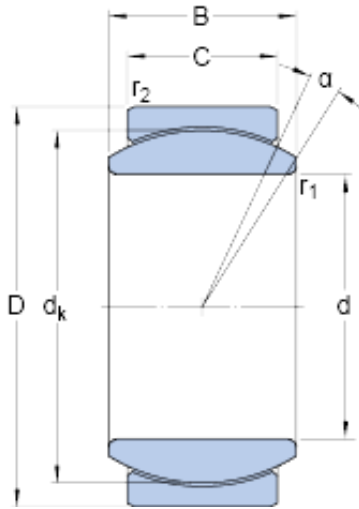




# NTN-SNR BEARING RULMENTI S.R.L.



GE 35 CJ2 Bearing 2D drawings and 3D CAD models

35 mm x 55 mm x 25 mm skf GE 35 CJ2 Radial spherical plain bearings

Bearing No. GE 35 CJ2

|  |                       |
|--|-----------------------|
| Size   | 55x35x25 mm           |
| Bore Diameter                                | 55 mm                 |
| Outer Diameter                               | 35 mm                 |
| Width  | 25 mm                 |
| d  | 35 mm                 |
| D  | 55 mm                 |
| B  | 25 mm                 |
| C  | 20 mm                 |
|  | 6 °                   |
| d <sub>k</sub>                               | 47 mm                 |
| r <sub>1</sub> - min.                        | 0.6 mm                |
| r <sub>2</sub> - min.                        | 1 mm                  |
| d <sub>a</sub> - min.                        | 37.9 mm               |
| d <sub>a</sub> - max.                        | 39.8 mm               |
| D <sub>a</sub> - min.                        | 44.7 mm               |
| D <sub>a</sub> - max.                        | 51.4 mm               |
| r <sub>a</sub> - max.                        | 0.6 mm                |
| r <sub>b</sub> - max.                        | 1 mm                  |
| Basic dynamic load rating - C                | 80 kN                 |
| Basic static load rating - C <sub>0</sub>    | 200 kN                |
| Specific factor dinamic load - K             | 100 N/mm <sup>2</sup> |
| Specific factor static load - K <sub>0</sub> | 250 N/mm <sup>2</sup> |
| Constant - K <sub>M</sub>                    | 1400                  |



## NTN-SNR BEARING RULMENTI S.R.L.

|  |                                     |
|--|-------------------------------------|
| Category                                     | Spherical Plain Bearings - Rod Ends |
| Inventory                                    | 0.0                                 |
| Manufacturer Name                            | SKF                                 |
| Minimum Buy Quantity                         | N/A                                 |
| Weight / Kilogram                            | 0                                   |
| Product Group                                | B04286                              |
| Lubricant                                    | Maintenance free – dry lubrication  |
| Design (sliding contact surface combination) | Steel/PTFE sintered bronze          |
| Sealing solution                             | -                                   |
|  | 6 °                                 |
| $d_k$  | 47 mm                               |
| $r_1$ min.                                   | 0.6 mm                              |
| $r_2$ min.                                   | 1 mm                                |
| $d_a$ min.                                   | 37.9 mm                             |
| $d_a$ max.                                   | 39.8 mm                             |
| $D_a$ min.                                   | 44.7 mm                             |
| $D_a$ max.                                   | 51.4 mm                             |
| $r_a$ max.                                   | 0.6 mm                              |
| $r_b$ max.                                   | 1 mm                                |
| Basic dynamic load rating C                  | 80 kN                               |
| Basic static load rating $C_0$               | 200 kN                              |
| Specific dynamic load factor K               | 100 N/mm <sup>2</sup>               |
| Specific static load factor $K_0$            | 250 N/mm <sup>2</sup>               |
| Material constant $K_M$                      | 1400                                |
| Mass plain bearing                           | 0.23 kg                             |