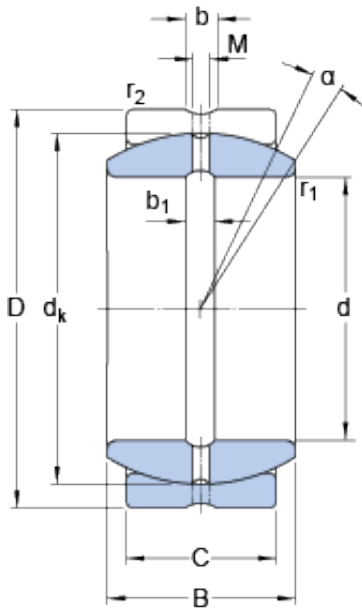




NTN-SNR BEARING RULMENTI S.R.L.



GEZ 600 ES Bearing 2D drawings and 3D CAD models

152.4 mm x 222.25 mm x 120.65 mm skf GEZ
600 ES Radial spherical plain bearings

Bearing No. GEZ 600 ES

Size	222.25x152.4x120.65 mm
Bore Diameter	222,25 mm
Outer Diameter	152,4 mm
Width	120,65 mm
d	152.4 mm
D	222.25 mm
B	120.65 mm
C	104.775 mm
	5 °
d _k	207.162 mm
b	15 mm
b ₁	11 mm
M	8 mm
r ₁ - min.	1 mm
r ₂ - min.	1.1 mm
d _a - min.	161 mm
d _a - max.	168 mm
D _a - min.	197 mm
D _a - max.	213.5 mm
r _a - max.	1 mm
r _b - max.	1 mm
Basic dynamic load rating - C	1730 kN
Basic static load rating - C ₀	5200 kN
Specific factor dinamic load - K	100 N/mm ²



NTN-SNR BEARING RULMENTI S.R.L.

Specific factor static load - K_0	300 N/mm ²
Constant - K_M	330
Size	152.4x222.25x120.65 mm
Bore Diameter	152,4 mm
Outer Diameter	222,25 mm
Width	120,65 mm
d	152.4 mm
D	222.25 mm
B	120.65 mm
C	104.775 mm
	5 °
d_k	207.162 mm
b	15 mm
b_1	11 mm
M	8 mm
r_1 - min.	1 mm
r_2 - min.	1.1 mm
d_a - min.	161 mm
d_a - max.	168 mm
D_a - min.	197 mm
D_a - max.	213.5 mm
r_a - max.	1 mm
r_b - max.	1 mm
Basic dynamic load rating - C	1730 kN
Basic static load rating - C_0	5200 kN
Specific factor dynamic load - K	100 N/mm ²
Specific factor static load - K_0	300 N/mm ²
Constant - K_M	330



NTN-SNR BEARING RULMENTI S.R.L.

Category	Spherical Plain Bearings - Radial
Inventory	0.0
Manufacturer Name	SKF
Minimum Buy Quantity	N/A
Weight / Kilogram	17.52
Product Group	B04264
Self Aligning	Yes
Rolling Element	Spherical Plain
Material - Outer Member	Steel
Material - Ball	Steel
Material - Liner	Not Applicable
Relubricatable	Yes
Enclosure	Open
Other Features	2 Piece Lubrication Hole and an Annular Groove in Both Rings
Long Description	6" Bore; 4-1/8" Housing Width; 8-3/4" Outside Diameter; Steel Outer Member; Steel Ball; No Liner; 4-3/4" Overall Width; Relubricatable
Inch - Metric	Inch
Category	Plain Bearings Spherical Radial
UNSPSC	31171515
Harmonized Tariff Code	8483.30.80.70
Noun	Bearing
Keyword 3	Spherical
Keyword String	Plain Spherical Radial
Manufacturer URL	http://www.skf.com
Manufacturer Item Number	GEZ 600 ES
Weight / LBS	38.6
Overall Width	4.75 Inch 120.65



NTN-SNR BEARING RULMENTI S.R.L.

	Millimeter
Outside Diameter	8.75 Inch 222.25 Millimeter
Bore	6 Inch 152.4 Millimeter
Housing Width	4.125 Inch 104.775 Millimeter
bore diameter:	6.0000 in
outer ring width:	4.1250 in
outside diameter:	8.7500 in
grade:	Commercial/Industrial
misalignment angle:	5 °
radial static load capacity:	1168007 lbf
inner ring width:	4.7500 in
radial dynamic load capacity:	388919 lbf
bearing type:	Radial
operating temperature range:	-50 to +200 ° C ° F
lubrication type:	Requires Lubrication
overall width:	4.7500 in
closure type:	Open
weight:	38.6 lbs
outer ring material:	Chrome Steel
manufacturer product page:	Click here
inner ring material:	Chrome Steel
manufacturer upc number:	7316576612510
Lubricant	Regular relubrication – grease
Design (sliding contact surface combination)	Steel/steel
Sealing solution	-
	5 °
d _k	207.162 mm
b ₁	11 mm



NTN-SNR BEARING RULMENTI S.R.L.

r_1 min.	1 mm
r_2 min.	1.1 mm
d_a min.	161 mm
d_a max.	168 mm
D_a min.	197 mm
D_a max.	213.5 mm
r_a max.	1 mm
r_b max.	1 mm
Basic dynamic load rating C	1730 kN
Basic static load rating C_0	5200 kN
Specific dynamic load factor K	100 N/mm ²
Specific static load factor K_0	300 N/mm ²
Material constant K_M	330
Mass plain bearing	17.5 kg