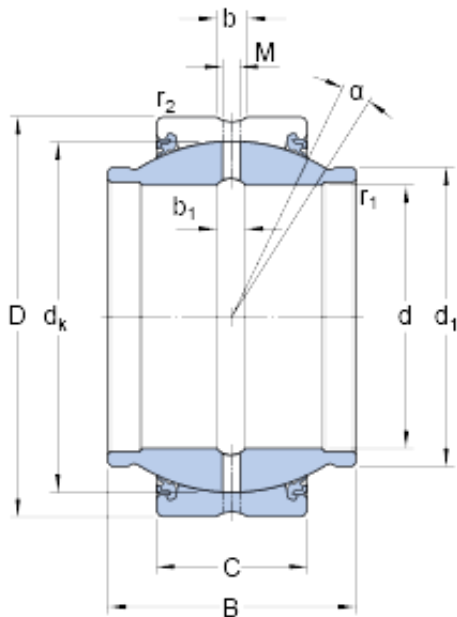




NTN-SNR BEARING RULMENTI S.R.L.

44.45 mm x 71.438 mm x 66.675 mm skf GEZM
112 ESX-2LS Radial spherical plain bearings

Bearing No. GEZM 112 ESX-2LS



GEZM 112 ESX-2LS Bearing 2D drawings and 3D CAD models

Size	71.438x44.45x66.675 mm
Bore Diameter	71,438 mm
Outer Diameter	44,45 mm
Width	66,675 mm
d	44.45 mm
D	71.438 mm
B	66.675 mm
C	33.325 mm
	5 °
d _k	63.881 mm
d ₁	54.991 mm
b	4.8 mm
b ₁	5 mm
M	4 mm
r ₁ - min.	1 mm
r ₂ - min.	1 mm
d _a - min.	49.9 mm
d _a - max.	55 mm
D _a - min.	61.3 mm
D _a - max.	67.4 mm
r _a - max.	1 mm
r _b - max.	1 mm
Basic dynamic load rating - C	255 kN
Basic static load rating - C ₀	510 kN



NTN-SNR BEARING RULMENTI S.R.L.

Specific factor dynamic load - K	150 N/mm ²
Specific factor static load - K ₀	300 N/mm ²
Constant - K _M	330
Lubricant	Maintenance free – greased for life
Design (sliding contact surface combination)	Steel/steel
Sealing solution	Triple-lip seals
	5 °
d _k	63.881 mm
d ₁	54.991 mm
b ₁	5 mm
r ₁ min.	1 mm
r ₂ min.	1 mm
d _a min.	49.9 mm
d _a max.	55 mm
D _a min.	61.3 mm
D _a max.	67.4 mm
r _a max.	1 mm
r _b max.	1 mm
Basic dynamic load rating C	255 kN
Basic static load rating C ₀	510 kN
Specific dynamic load factor K	150 N/mm ²
Specific static load factor K ₀	300 N/mm ²
Material constant K _M	330
Mass plain bearing	0.81 kg