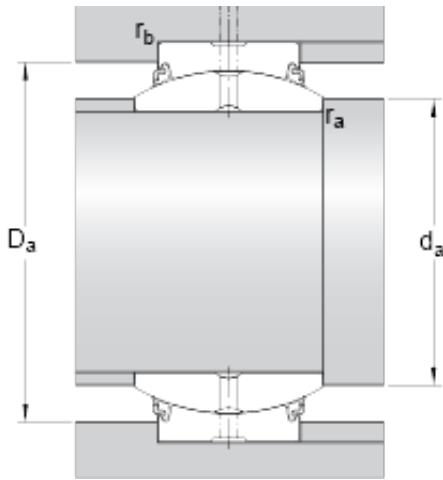




NTN-SNR BEARING RULMENTI S.R.L.



GE 220 ESL-2LS Bearing 2D drawings and 3D CAD models

220 mm x 320 mm x 135 mm skf GE 220
ESL-2LS Radial spherical plain bearings

Bearing No. GE 220 ESL-2LS

Lubricant	Regular relubrication – grease
Design (sliding contact surface combination)	Steel/steel, heavy-duty bearing
Sealing solution	Triple-lip seals
d	220 mm
D	320 mm
B	135 mm
C	100 mm
	8 °
d _k	275 mm
b	15.5 mm
b ₁	15.5 mm
M	7 mm
r ₁ min.	1.1 mm
r ₂ min.	1.1 mm
d _a min.	232.5 mm
d _a max.	239.5 mm
D _a min.	271 mm
D _a max.	309.5 mm
r _a max.	1 mm
r _b max.	1 mm
Basic dynamic load rating C	2320 kN
Basic static load rating C ₀	11600 kN
Specific dynamic load factor K	100 N/mm ²



NTN-SNR BEARING RULMENTI S.R.L.

Specific static load factor K_0	500 N/mm ²
Material constant K_M	330
Mass plain bearing	35.5 kg