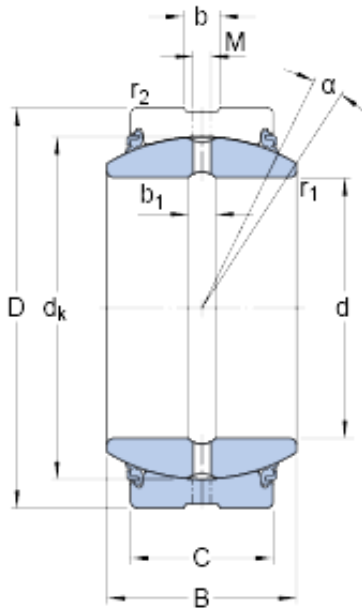




NTN-SNR BEARING RULMENTI S.R.L.

101.6 mm x 158.75 mm x 88.9 mm skf GEZ 400
ESX-2LS Radial spherical plain bearings

Bearing No. GEZ 400 ESX-2LS



GEZ 400 ESX-2LS Bearing 2D drawings and 3D CAD models

Size	158.75x101.6x88.9 mm
Bore Diameter	158,75 mm
Outer Diameter	101,6 mm
Width	88,9 mm
d	101.6 mm
D	158.75 mm
B	88.9 mm
C	76.2 mm
	6 °
dk	146.05 mm
b	10.5 mm
b ₁	10 mm
M	8 mm
r ₁ - min.	0.6 mm
r ₂ - min.	1 mm
d _a - min.	108 mm
d _a - max.	115.5 mm
D _a - min.	139.5 mm
D _a - max.	152.5 mm
r _a - max.	0.6 mm
r _b - max.	1 mm
Basic dynamic load rating - C	1340 kN
Basic static load rating - C ₀	2650 kN
Specific factor dinamic load - K	150 N/mm ²



NTN-SNR BEARING RULMENTI S.R.L.

Specific factor static load - K_0	300 N/mm ²
Constant - K_M	330
Lubricant	Maintenance free – greased for life
Design (sliding contact surface combination)	Steel/steel
Sealing solution	Triple-lip seals
	6 °
d_k	146.05 mm
b_1	10 mm
r_1 min.	0.6 mm
r_2 min.	1 mm
d_a min.	108 mm
d_a max.	115.5 mm
D_a min.	139.5 mm
D_a max.	152.5 mm
r_a max.	0.6 mm
r_b max.	1 mm
Basic dynamic load rating C	1340 kN
Basic static load rating C_0	2650 kN
Specific dynamic load factor K	150 N/mm ²
Specific static load factor K_0	300 N/mm ²
Material constant K_M	330
Mass plain bearing	7 kg