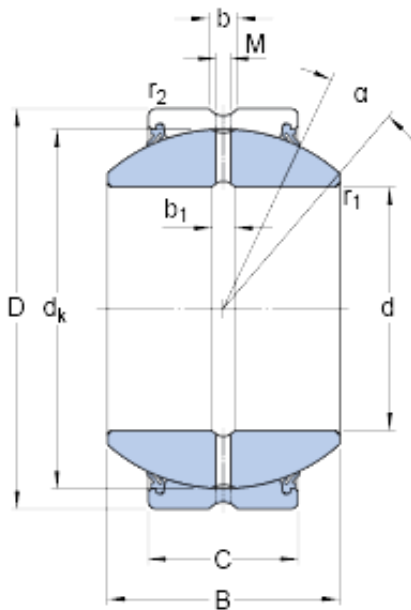




NTN-SNR BEARING RULMENTI S.R.L.

95.25 mm x 158.75 mm x 94.945 mm skf GEZH
312 ES-2RS Radial spherical plain bearings

Bearing No. GEZH 312 ES-2RS



GEZH 312 ES-2RS Bearing 2D drawings and 3D CAD models

Size	158.75x95.25x94.945 mm
Bore Diameter	158,75 mm
Outer Diameter	95,25 mm
Width	94,945 mm
d	95.25 mm
D	158.75 mm
B	94.945 mm
C	76.2 mm
	9 °
d _k	146.05 mm
b	10.5 mm
b ₁	10 mm
M	8 mm
r ₁ - min.	2 mm
r ₂ - min.	1 mm
d _a - min.	105.8 mm
d _a - max.	110.9 mm
D _a - min.	139.5 mm
D _a - max.	152.5 mm
r _a - max.	2 mm
r _b - max.	1 mm
Basic dynamic load rating - C	900 kN
Basic static load rating - C ₀	2650 kN
Specific factor dinamic load - K	100 N/mm ²



NTN-SNR BEARING RULMENTI S.R.L.

Specific factor static load - K_0	300 N/mm ²
Constant - K_M	330
Lubricant	Regular relubrication – grease
Design (sliding contact surface combination)	Steel/steel
Sealing solution	Double-lip seals
	9 °
d_k	146.05 mm
b_1	10 mm
r_1 min.	2 mm
r_2 min.	1 mm
d_a min.	105.8 mm
d_a max.	110.9 mm
D_a min.	139.5 mm
D_a max.	152.5 mm
r_a max.	2 mm
r_b max.	1 mm
Basic dynamic load rating C	900 kN
Basic static load rating C_0	2650 kN
Specific dynamic load factor K	100 N/mm ²
Specific static load factor K_0	300 N/mm ²
Material constant K_M	330
Mass plain bearing	8.1 kg