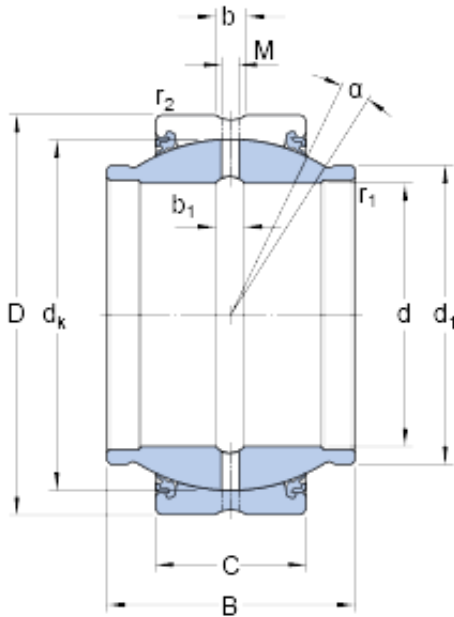




NTN-SNR BEARING RULMENTI S.R.L.

38.1 mm x 61.913 mm x 57.15 mm skf GEZM
108 ESX-2LS Radial spherical plain bearings

Bearing No. GEZM 108 ESX-2LS



GEZM 108 ESX-2LS Bearing 2D drawings and 3D CAD models

Size	61.913x38.1x57.15 mm
Bore Diameter	61,913 mm
Outer Diameter	38,1 mm
Width	57,15 mm
d	38.1 mm
D	61.913 mm
B	57.15 mm
C	28.575 mm
	5 °
d _k	54.737 mm
d ₁	46.99 mm
b	4.8 mm
b ₁	5 mm
M	4 mm
r ₁ - min.	1 mm
r ₂ - min.	1 mm
d _a - min.	43.3 mm
d _a - max.	47 mm
D _a - min.	52.3 mm
D _a - max.	58 mm
r _a - max.	1 mm
r _b - max.	1 mm
Basic dynamic load rating - C	186 kN
Basic static load rating - C ₀	375 kN



NTN-SNR BEARING RULMENTI S.R.L.

Specific factor dynamic load - K	150 N/mm ²
Specific factor static load - K ₀	300 N/mm ²
Constant - K _M	330
Lubricant	Maintenance free – greased for life
Design (sliding contact surface combination)	Steel/steel
Sealing solution	Triple-lip seals
	5 °
d _k	54.737 mm
d ₁	46.99 mm
b ₁	5 mm
r ₁ min.	1 mm
r ₂ min.	1 mm
d _a min.	43.3 mm
d _a max.	47 mm
D _a min.	52.3 mm
D _a max.	58 mm
r _a max.	1 mm
r _b max.	1 mm
Basic dynamic load rating C	186 kN
Basic static load rating C ₀	375 kN
Specific dynamic load factor K	150 N/mm ²
Specific static load factor K ₀	300 N/mm ²
Material constant K _M	330
Mass plain bearing	0.51 kg