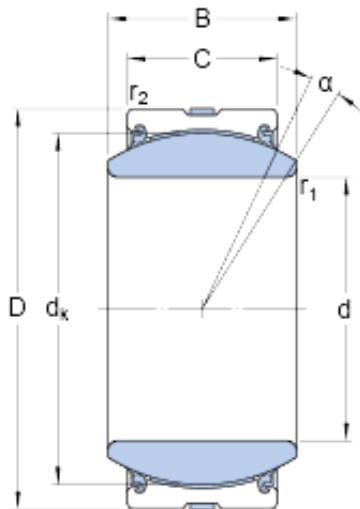




# NTN-SNR BEARING RULMENTI S.R.L.



GE 220 TXA-2LS Bearing 2D drawings and 3D CAD models

220 mm x 320 mm x 135 mm skf GE 220  
TXA-2LS Radial spherical plain bearings

Bearing No. GE 220 TXA-2LS

Size	320x220x135 mm
Bore Diameter	320 mm
Outer Diameter	220 mm
Width	135 mm
d	220 mm
D	320 mm
B	135 mm
C	100 mm
	8 °
dk	275 mm
r <sub>1</sub> - min.	1.1 mm
r <sub>2</sub> - min.	1.1 mm
d <sub>a</sub> - min.	233 mm
d <sub>a</sub> - max.	239.5 mm
D <sub>a</sub> - min.	271 mm
D <sub>a</sub> - max.	309 mm
r <sub>a</sub> - max.	1 mm
r <sub>b</sub> - max.	1 mm
Basic dynamic load rating - C	6550 kN
Basic static load rating - C <sub>0</sub>	11000 kN
Specific factor dinamic load - K	300 N/mm <sup>2</sup>
Specific factor static load - K <sub>0</sub>	500 N/mm <sup>2</sup>
Lubricant	Maintenance free – dry



## NTN-SNR BEARING RULMENTI S.R.L.

	Lubrication
Design (sliding contact surface combination)	Steel/PTFE fabric
Sealing solution	Triple-lip seals
	8 °
$d_k$	275 mm
$r_1$ min.	1.1 mm
$r_2$ min.	1.1 mm
$d_a$ min.	233 mm
$d_a$ max.	239.5 mm
$D_a$ min.	271 mm
$D_a$ max.	309 mm
$r_a$ max.	1 mm
$r_b$ max.	1 mm
Basic dynamic load rating C	6550 kN
Basic static load rating $C_0$	11000 kN
Specific dynamic load factor K	300 N/mm <sup>2</sup>
Specific static load factor $K_0$	500 N/mm <sup>2</sup>
Mass plain bearing	35.5 kg