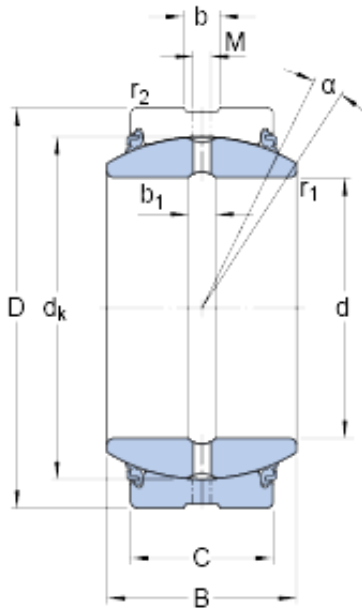




NTN-SNR BEARING RULMENTI S.R.L.



GEZ 204 ES-2LS Bearing 2D drawings and 3D CAD models

57.15 mm x 90.488 mm x 50.013 mm skf GEZ
204 ES-2LS Radial spherical plain bearings

Bearing No. GEZ 204 ES-2LS

Size	90.488x57.15x50.013 mm
Bore Diameter	90,488 mm
Outer Diameter	57,15 mm
Width	50,013 mm
d	57.15 mm
D	90.488 mm
B	50.013 mm
C	42.85 mm
	6 °
d _k	82.169 mm
b	5.7 mm
b ₁	5 mm
M	4 mm
r ₁ - min.	0.6 mm
r ₂ - min.	1 mm
d _a - min.	61.7 mm
d _a - max.	65.2 mm
D _a - min.	79 mm
D _a - max.	85.3 mm
r _a - max.	0.6 mm
r _b - max.	1 mm
Basic dynamic load rating - C	280 kN
Basic static load rating - C ₀	850 kN
Specific factor dinamic load - K	100 N/mm ²



NTN-SNR BEARING RULMENTI S.R.L.

Specific factor static load - K_0	300 N/mm ²
Constant - K_M	330
Size	57.15x90.488x50.013 mm
Bore Diameter	57,15 mm
Outer Diameter	90,488 mm
Width	50,013 mm
d	57.15 mm
D	90.488 mm
B	50.013 mm
C	42.85 mm
	6 °
d_k	82.169 mm
b	5.7 mm
b_1	5 mm
M	4 mm
r_1 - min.	0.6 mm
r_2 - min.	1 mm
d_a - min.	61.7 mm
d_a - max.	65.2 mm
D_a - min.	79 mm
D_a - max.	85.3 mm
r_a - max.	0.6 mm
r_b - max.	1 mm
Basic dynamic load rating - C	280 kN
Basic static load rating - C_0	850 kN
Specific factor dinamic load - K	100 N/mm ²
Specific factor static load - K_0	300 N/mm ²
Constant - K_M	330



NTN-SNR BEARING RULMENTI S.R.L.

Lubricant	Regular relubrication – grease
Design (sliding contact surface combination)	Steel/steel
Sealing solution	Triple-lip seals
	6 °
d_k	82.169 mm
b_1	5 mm
r_1 min.	0.6 mm
r_2 min.	1 mm
d_a min.	61.7 mm
d_a max.	65.2 mm
D_a min.	79 mm
D_a max.	85.3 mm
r_a max.	0.6 mm
r_b max.	1 mm
Basic dynamic load rating C	280 kN
Basic static load rating C_0	850 kN
Specific dynamic load factor K	100 N/mm ²
Specific static load factor K_0	300 N/mm ²
Material constant K_M	330
Mass plain bearing	1.3 kg