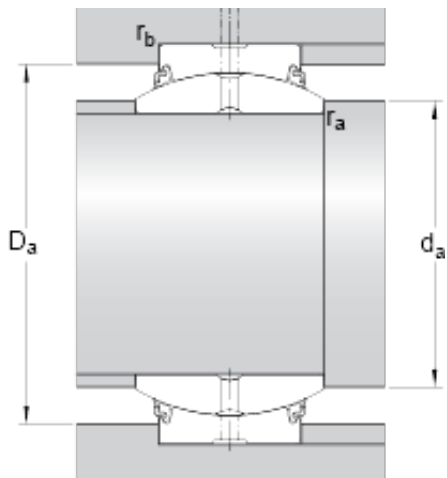




NTN-SNR BEARING RULMENTI S.R.L.



63.5 mm x 100.013 mm x 55.55 mm skf GEZ
208 ES-2LS Radial spherical plain bearings

Bearing No. GEZ 208 ES-2LS

GEZ 208 ES-2LS Bearing 2D drawings and 3D CAD models

Lubricant	Regular relubrication – grease
Design (sliding contact surface combination)	Steel/steel
Sealing solution	Triple-lip seals
d	63.5 mm
D	100.013 mm
B	55.55 mm
C	47.625 mm
	6 °
d _k	91.186 mm
b	9 mm
b ₁	8 mm
M	6.5 mm
r ₁ min.	0.6 mm
r ₂ min.	1 mm
d _a min.	68.3 mm
d _a max.	72.3 mm
D _a min.	87 mm
D _a max.	94.7 mm
r _a max.	0.6 mm
r _b max.	1 mm
Basic dynamic load rating C	345 kN
Basic static load rating C ₀	1040 kN
Specific dynamic load factor K	100 N/mm ²



NTN-SNR BEARING RULMENTI S.R.L.

Specific static load factor K_0	300 N/mm ²
Material constant K_M	330
Mass plain bearing	1.85 kg