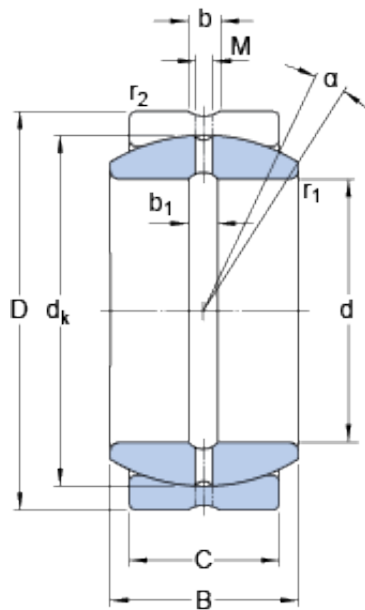




## NTN-SNR BEARING RULMENTI S.R.L.



GE 35 ES Bearing 2D drawings and 3D CAD models

35 mm x 55 mm x 25 mm skf GE 35 ES Radial spherical plain bearings

Bearing No. GE 35 ES

|   |                       |
|---|-----------------------|
| Size                                      | 55x35x25 mm           |
| Bore Diameter                             | 55 mm                 |
| Outer Diameter                            | 35 mm                 |
| Width                                     | 25 mm                 |
| d   | 35 mm                 |
| D   | 55 mm                 |
| B   | 25 mm                 |
| C   | 20 mm                 |
|   | 6 °                   |
| d <sub>k</sub>                            | 47 mm                 |
| b   | 3.9 mm                |
| b <sub>1</sub>                            | 3.9 mm                |
| M   | 2.5 mm                |
| r <sub>1</sub> - min.                     | 0.6 mm                |
| r <sub>2</sub> - min.                     | 1 mm                  |
| d <sub>a</sub> - min.                     | 38.5 mm               |
| d <sub>a</sub> - max.                     | 39.8 mm               |
| D <sub>a</sub> - min.                     | 44.6 mm               |
| D <sub>a</sub> - max.                     | 50.9 mm               |
| r <sub>a</sub> - max.                     | 0.6 mm                |
| r <sub>b</sub> - max.                     | 1 mm                  |
| Basic dynamic load rating - C             | 80 kN                 |
| Basic static load rating - C <sub>0</sub> | 400 kN                |
| Specific factor dinamic load - K          | 100 N/mm <sup>2</sup> |



## NTN-SNR BEARING RULMENTI S.R.L.

|                                     |                       |
|-------------------------------------|-----------------------|
| Specific factor static load - $K_0$ | 500 N/mm <sup>2</sup> |
| Constant - $K_M$                    | 330                   |
| Size                                | 35x55x25 mm           |
| Bore Diameter                       | 35 mm                 |
| Outer Diameter                      | 55 mm                 |
| Width                               | 25 mm                 |
| d                                   | 35 mm                 |
| D                                   | 55 mm                 |
| B                                   | 25 mm                 |
| C                                   | 20 mm                 |
|                                     | 6 °                   |
| $d_k$                               | 47 mm                 |
| b                                   | 3.9 mm                |
| $b_1$                               | 3.9 mm                |
| M                                   | 2.5 mm                |
| $r_1$ - min.                        | 0.6 mm                |
| $r_2$ - min.                        | 1 mm                  |
| $d_a$ - min.                        | 38.5 mm               |
| $d_a$ - max.                        | 39.8 mm               |
| $D_a$ - min.                        | 44.6 mm               |
| $D_a$ - max.                        | 50.9 mm               |
| $r_a$ - max.                        | 0.6 mm                |
| $r_b$ - max.                        | 1 mm                  |
| Basic dynamic load rating - C       | 80 kN                 |
| Basic static load rating - $C_0$    | 400 kN                |
| Specific factor dynamic load - K    | 100 N/mm <sup>2</sup> |
| Specific factor static load - $K_0$ | 500 N/mm <sup>2</sup> |
| Constant - $K_M$                    | 330                   |
|                                     |                       |



## NTN-SNR BEARING RULMENTI S.R.L.

|                          |   |
|--------------------------|---|
| Category                 | Spherical Plain Bearings - Radial   |
| Inventory                | 0.0   |
| Manufacturer Name        | SKF   |
| Minimum Buy Quantity     | N/A   |
| Weight / Kilogram        | 0.229   |
| Product Group            | B04286  |
| Self Aligning            | Yes   |
| Rolling Element          | Spherical Plain   |
| Material - Outer Member  | Steel   |
| Material - Ball          | Steel   |
| Material - Liner         | Not Applicable  |
| Relubricatable           | Yes   |
| Enclosure                | Open  |
| Other Features           | 2 Piece   Lubrication Hole and an Annular Groove in Both Rings  |
| Long Description         | 35MM Bore; 20MM Housing Width; 55MM Outside Diameter; Spherical Plain; Steel Outer Member; Steel Ball; No Liner; 25MM Overall Width; Relubricatable |
| Inch - Metric            | Metric  |
| Category                 | Plain Bearings Spherical Radial   |
| UNSPSC                   | 31171515  |
| Harmonized Tariff Code   | 8483.30.80.70   |
| Noun                     | Bearing   |
| Keyword 3                | Spherical   |
| Keyword String           | Plain Spherical Radial  |
| Manufacturer URL         | <a href="http://www.skf.com">http://www.skf.com</a>   |
| Manufacturer Item Number | GE 35 ES  |
| Weight / LBS             | 0.507   |
|                          |   |



## NTN-SNR BEARING RULMENTI S.R.L.

|  |                                |
|--|--------------------------------|
| Overall Width                                | 0.984 Inch   25 Millimeter     |
| Outside Diameter                             | 2.165 Inch   55 Millimeter     |
| Housing Width                                | 0.787 Inch   20 Millimeter     |
| Bore   | 1.378 Inch   35 Millimeter     |
| bore diameter:                               | 35 mm                          |
| inner ring material:                         | Chrome Steel                   |
| outside diameter:                            | 55 mm                          |
| outer ring width:                            | 20 mm                          |
| misalignment angle:                          | 6 °                            |
| grade:                                       | Commercial/Industrial          |
| inner ring width:                            | 25 mm                          |
| overall width:                               | 25 mm                          |
| bearing type:                                | Radial                         |
| radial static load capacity:                 | 400 kN                         |
| lubrication type:                            | Requires Lubrication           |
| radial dynamic load capacity:                | 80 kN                          |
| closure type:                                | Open                           |
| operating temperature range:                 | -50 to +200 ° C ° F            |
| outer ring material:                         | Chrome Steel                   |
| manufacturer upc number:                     | 7316576609343                  |
| Lubricant                                    | Regular relubrication – grease |
| Design (sliding contact surface combination) | Steel/steel                    |
| Sealing solution                             | -                              |
|  | 6 °                            |
| d <sub>k</sub>                               | 47 mm                          |
| b <sub>1</sub>                               | 3.9 mm                         |
| r <sub>1</sub> min.                          | 0.6 mm                         |
| r <sub>2</sub> min.                          | 1 mm                           |
| d <sub>a</sub> min.                          | 38.5 mm                        |
|  |                                |



## NTN-SNR BEARING RULMENTI S.R.L.

|                                   |                       |
|-----------------------------------|-----------------------|
| $d_a$ max.                        | 39.8 mm               |
| $D_a$ min.                        | 44.6 mm               |
| $D_a$ max.                        | 50.9 mm               |
| $r_a$ max.                        | 0.6 mm                |
| $r_b$ max.                        | 1 mm                  |
| Basic dynamic load rating C       | 80 kN                 |
| Basic static load rating $C_0$    | 400 kN                |
| Specific dynamic load factor K    | 100 N/mm <sup>2</sup> |
| Specific static load factor $K_0$ | 500 N/mm <sup>2</sup> |
| Material constant $K_M$           | 330                   |
| Mass plain bearing                | 0.23 kg               |