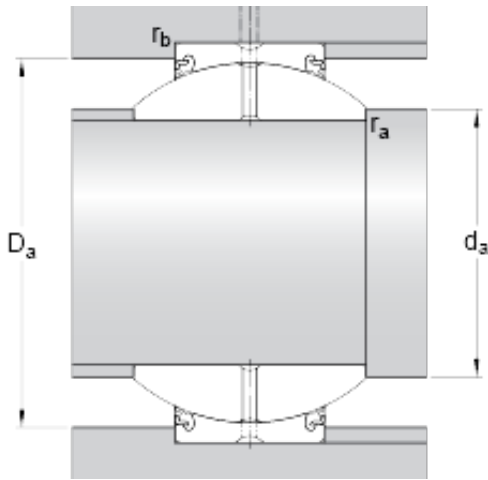




NTN-SNR BEARING RULMENTI S.R.L.



101.6 mm x 177.8 mm x 107.315 mm skf GEZH
400 ES-2LS Radial spherical plain bearings

Bearing No. GEZH 400 ES-2LS

GEZH 400 ES-2LS Bearing 2D drawings and 3D CAD models

Lubricant	Regular relubrication – grease
Design (sliding contact surface combination)	Steel/steel
Sealing solution	Triple-lip seals
d	101.6 mm
D	177.8 mm
B	107.315 mm
C	85.725 mm
	9 °
d _k	164.465 mm
b	11 mm
b ₁	10 mm
M	8 mm
r ₁ min.	2 mm
r ₂ min.	1.1 mm
d _a min.	113 mm
d _a max.	124.5 mm
D _a min.	157 mm
D _a max.	170.99 mm
r _a max.	2 mm
r _b max.	1.1 mm
Basic dynamic load rating C	1120 kN
Basic static load rating C ₀	3400 kN
Specific dynamic load factor K	100 N/mm ²



NTN-SNR BEARING RULMENTI S.R.L.

Specific static load factor K_0	300 N/mm ²
Material constant K_M	330
Mass plain bearing	13.5 kg