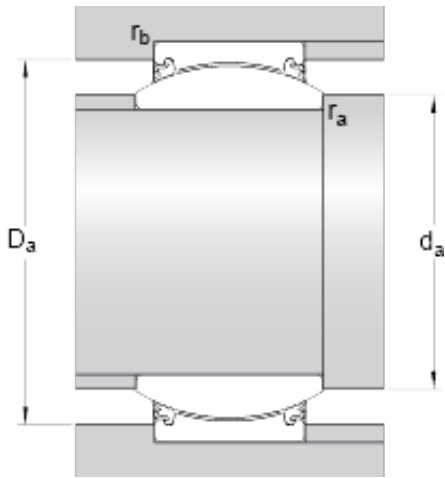




NTN-SNR BEARING RULMENTI S.R.L.



101.6 mm x 158.75 mm x 88.9 mm skf GEZ 400 TXE-2LS Radial spherical plain bearings

Bearing No. GEZ 400 TXE-2LS

GEZ 400 TXE-2LS Bearing 2D drawings and 3D CAD models

Lubricant	Maintenance free – dry lubrication
Design (sliding contact surface combination)	Steel/PTFE fabric
Sealing solution	Triple-lip seals
d	101.6 mm
D	158.75 mm
B	88.9 mm
C	76.2 mm
	6 °
d _k	146.05 mm
r ₁ min.	0.6 mm
r ₂ min.	1 mm
d _a min.	108.5 mm
d _a max.	115.5 mm
D _a min.	145 mm
D _a max.	150.5 mm
r _a max.	0.6 mm
r _b max.	1 mm
Basic dynamic load rating C	1340 kN
Basic static load rating C ₀	2650 kN
Specific dynamic load factor K	150 N/mm ²
Specific static load factor K ₀	300 N/mm ²
Mass plain bearing	7 kg