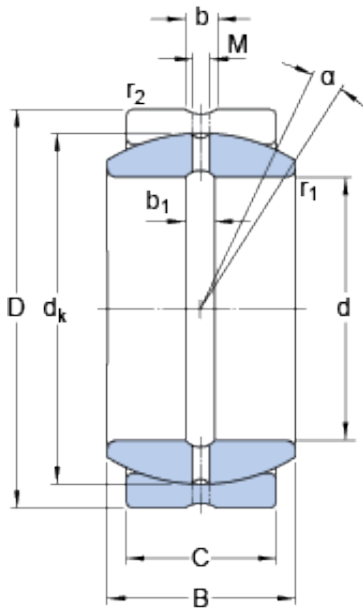




# NTN-SNR BEARING RULMENTI S.R.L.



GEZ 108 ES Bearing 2D drawings and 3D CAD models

38.1 mm x 61.913 mm x 33.325 mm skf GEZ  
108 ES Radial spherical plain bearings

Bearing No. GEZ 108 ES

Size	61.913x38.1x33.325 mm
Bore Diameter	61,913 mm
Outer Diameter	38,1 mm
Width	33,325 mm
d	38.1 mm
D	61.913 mm
B	33.325 mm
C	28.575 mm
	6 °
d <sub>k</sub>	54.737 mm
b	4.8 mm
b <sub>1</sub>	5 mm
M	4 mm
r <sub>1</sub> - min.	0.6 mm
r <sub>2</sub> - min.	1 mm
d <sub>a</sub> - min.	41.4 mm
d <sub>a</sub> - max.	43.4 mm
D <sub>a</sub> - min.	52 mm
D <sub>a</sub> - max.	58 mm
r <sub>a</sub> - max.	0.6 mm
r <sub>b</sub> - max.	1 mm
Basic dynamic load rating - C	125 kN
Basic static load rating - C <sub>0</sub>	375 kN
Specific factor dinamic load - K	100 N/mm <sup>2</sup>



## NTN-SNR BEARING RULMENTI S.R.L.

Specific factor static load - $K_0$	300 N/mm <sup>2</sup>
Constant - $K_M$	330
Category	Spherical Plain Bearings - Radial
Inventory	0.0
Manufacturer Name	SKF
Minimum Buy Quantity	N/A
Weight / Kilogram	0.419
Product Group	B04264
Self Aligning	Yes
Rolling Element	Spherical Plain
Material - Outer Member	Steel
Material - Ball	Steel
Material - Liner	Not Applicable
Relubricatable	Yes
Enclosure	Open
Other Features	2 Piece   Lubrication Hole and an Annular Groove in Both Rings
Long Description	1-1/2" Bore; 1-1/8" Housing Width; 2-7/16" Outside Diameter; Steel Outer Member; Steel Ball; No Liner; 1-5/16" Overall Width; Relubricatable
Inch - Metric	Inch
Category	Plain Bearings Spherical Radial
UNSPSC	31171515
Harmonized Tariff Code	8483.30.80.70
Noun	Bearing
Keyword 3	Spherical
Keyword String	Plain Spherical Radial
Manufacturer URL	<a href="http://www.skf.com">http://www.skf.com</a>



## NTN-SNR BEARING RULMENTI S.R.L.

Manufacturer Item Number	GEZ 108 ES
Weight / LBS	0.926
Housing Width	1.125 Inch   28.575 Millimeter
Bore	1.5 Inch   38.1 Millimeter
Outside Diameter	2.438 Inch   61.925 Millimeter
Overall Width	1.312 Inch   33.325 Millimeter
bore diameter:	1.5000 in
outer ring width:	1.1250 in
outside diameter:	2.4375 in
grade:	Commercial/Industrial
misalignment angle:	6 °
radial static load capacity:	84303 lbf
inner ring width:	1.3120 in
radial dynamic load capacity:	28101 lbf
bearing type:	Radial
operating temperature range:	-50 to +200 ° C ° F
lubrication type:	Requires Lubrication
overall width:	1.3120 in
closure type:	Open
weight:	0.93 lb
outer ring material:	Chrome Steel
manufacturer product page:	<a href="#">Click here</a>
inner ring material:	Chrome Steel
manufacturer upc number:	7316576612251
Lubricant	Regular relubrication – grease
Design (sliding contact surface combination)	Steel/steel
Sealing solution	-



## NTN-SNR BEARING RULMENTI S.R.L.

	6 °
$d_k$	54.737 mm
$b_1$	5 mm
$r_1$ min.	0.6 mm
$r_2$ min.	1 mm
$d_a$ min.	41.4 mm
$d_a$ max.	43.4 mm
$D_a$ min.	52 mm
$D_a$ max.	58 mm
$r_a$ max.	0.6 mm
$r_b$ max.	1 mm
Basic dynamic load rating C	125 kN
Basic static load rating $C_0$	375 kN
Specific dynamic load factor K	100 N/mm <sup>2</sup>
Specific static load factor $K_0$	300 N/mm <sup>2</sup>
Material constant $K_M$	330
Mass plain bearing	0.42 kg