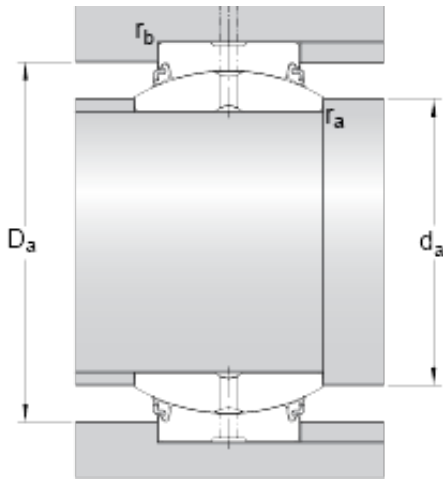




## NTN-SNR BEARING RULMENTI S.R.L.



GEZ 300 ESL-2LS Bearing 2D drawings and 3D CAD models

76.2 mm x 120.65 mm x 66.675 mm skf GEZ  
300 ESL-2LS Radial spherical plain bearings

Bearing No. GEZ 300 ESL-2LS

Lubricant	Regular relubrication – grease
Design (sliding contact surface combination)	Steel/steel, heavy-duty bearing
Sealing solution	Triple-lip seals
d	76.2 mm
D	120.65 mm
B	66.675 mm
C	57.15 mm
	6 °
d <sub>k</sub>	109.525 mm
b	9 mm
b <sub>1</sub>	8 mm
M	6.5 mm
r <sub>1</sub> min.	0.6 mm
r <sub>2</sub> min.	1 mm
d <sub>a</sub> min.	81.4 mm
d <sub>a</sub> max.	86.9 mm
D <sub>a</sub> min.	104.8 mm
D <sub>a</sub> max.	115 mm
r <sub>a</sub> max.	0.6 mm
r <sub>b</sub> max.	1 mm
Basic dynamic load rating C	500 kN
Basic static load rating C <sub>0</sub>	1500 kN
Specific dynamic load factor K	100 N/mm <sup>2</sup>



## NTN-SNR BEARING RULMENTI S.R.L.

Specific static load factor $K_0$	300 N/mm <sup>2</sup>
Material constant $K_M$	330
Mass plain bearing	3.1 kg