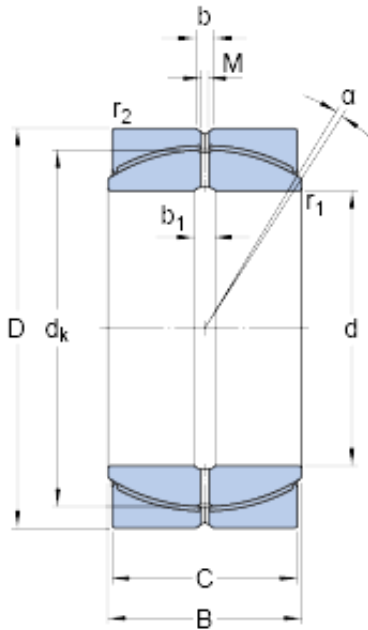




NTN-SNR BEARING RULMENTI S.R.L.



GEP 340 FS Bearing 2D drawings and 3D CAD models

340 mm x 480 mm x 243 mm skf GEP 340 FS
Radial spherical plain bearings

Bearing No. GEP 340 FS

Size	480x340x243 mm
Bore Diameter	480 mm
Outer Diameter	340 mm
Width	243 mm
d	340 mm
D	480 mm
B	243 mm
C	230 mm
	2 °
d _k	434 mm
b	21 mm
b ₁	21 mm
M	8 mm
r ₁ - min.	1.1 mm
r ₂ - min.	3 mm
d _a - min.	356 mm
d _a - max.	359 mm
D _a - min.	404 mm
D _a - max.	453 mm
r _a - max.	1 mm
r _b - max.	3 mm
Basic dynamic load rating - C	7100 kN
Basic static load rating - C ₀	10800 kN
Specific factor dinamic load - K	80 N/mm ²



NTN-SNR BEARING RULMENTI S.R.L.

Specific factor static load - K_0	120 N/mm ²
Constant - K_M	1055
Lubricant	Maintenance free – dry lubrication
Design (sliding contact surface combination)	Steel/PTFE FRP
Sealing solution	-
	2 °
d_k	434 mm
b_1	21 mm
r_1 min.	1.1 mm
r_2 min.	3 mm
d_a min.	356 mm
d_a max.	359 mm
D_a min.	404 mm
D_a max.	453 mm
r_a max.	1 mm
r_b max.	3 mm
Basic dynamic load rating C	7100 kN
Basic static load rating C_0	10800 kN
Specific dynamic load factor K	80 N/mm ²
Specific static load factor K_0	120 N/mm ²
Material constant K_M	1055
Mass plain bearing	150 kg