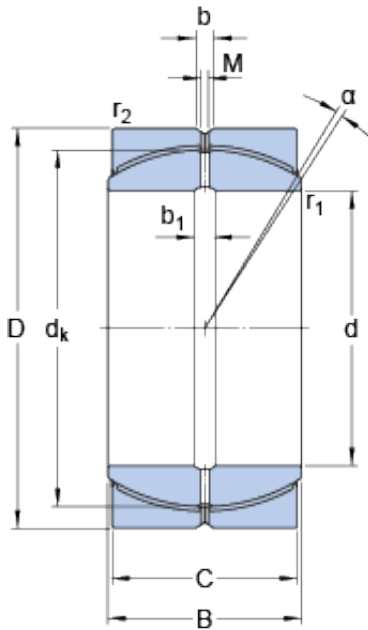




# NTN-SNR BEARING RULMENTI S.R.L.



GEP 630 FS Bearing 2D drawings and 3D CAD models

630 mm x 900 mm x 450 mm skf GEP 630 FS  
Radial spherical plain bearings

Bearing No. GEP 630 FS

Size	900x630x450 mm
Bore Diameter	900 mm
Outer Diameter	630 mm
Width	450 mm
d	630 mm
D	900 mm
B	450 mm
C	425 mm
	2 °
d <sub>k</sub>	813 mm
b	35 mm
b <sub>1</sub>	35 mm
M	13 mm
r <sub>1</sub> - min.	3 mm
r <sub>2</sub> - min.	6 mm
d <sub>a</sub> - min.	661 mm
d <sub>a</sub> - max.	677 mm
D <sub>a</sub> - min.	757 mm
D <sub>a</sub> - max.	850 mm
r <sub>a</sub> - max.	3 mm
r <sub>b</sub> - max.	6 mm
Basic dynamic load rating - C	24500 kN
Basic static load rating - C <sub>0</sub>	37500 kN
Specific factor dinamic load - K	80 N/mm <sup>2</sup>



## NTN-SNR BEARING RULMENTI S.R.L.

Specific factor static load - $K_0$	120 N/mm <sup>2</sup>
Constant - $K_M$	1055
Lubricant	Maintenance free – dry lubrication
Design (sliding contact surface combination)	Steel/PTFE FRP
Sealing solution	-
	2 °
$d_k$	813 mm
$b_1$	35 mm
$r_1$ min.	3 mm
$r_2$ min.	6 mm
$d_a$ min.	661 mm
$d_a$ max.	677 mm
$D_a$ min.	757 mm
$D_a$ max.	850 mm
$r_a$ max.	3 mm
$r_b$ max.	6 mm
Basic dynamic load rating C	24500 kN
Basic static load rating $C_0$	37500 kN
Specific dynamic load factor K	80 N/mm <sup>2</sup>
Specific static load factor $K_0$	120 N/mm <sup>2</sup>
Material constant $K_M$	1055
Mass plain bearing	1015 kg