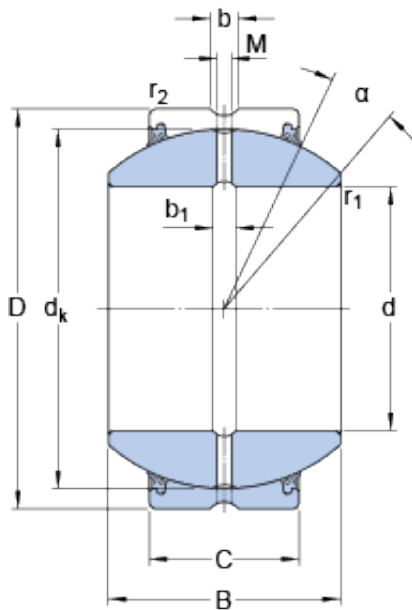




NTN-SNR BEARING RULMENTI S.R.L.



GEZH 400 ES-2RS Bearing 2D drawings and 3D CAD models

101.6 mm x 177.8 mm x 107.315 mm skf GEZH
400 ES-2RS Radial spherical plain bearings

Bearing No. GEZH 400 ES-2RS

Size	101.6x177.8x107.315 mm
Bore Diameter	101,6 mm
Outer Diameter	177,8 mm
Width	107,315 mm
d	101.6 mm
D	177.8 mm
B	107.315 mm
C	85.725 mm
	9 °
d _k	164.465 mm
b	11 mm
b ₁	10 mm
M	8 mm
r ₁ - min.	2 mm
r ₂ - min.	1.1 mm
d _a - min.	113 mm
d _a - max.	124.5 mm
D _a - min.	157 mm
D _a - max.	170.99 mm
r _a - max.	2 mm
r _b - max.	1.1 mm
Basic dynamic load rating - C	1120 kN
Basic static load rating - C ₀	3400 kN
Specific factor dinamic load - K	100 N/mm ²



NTN-SNR BEARING RULMENTI S.R.L.

Specific factor static load - K_0	300 N/mm ²
Constant - K_M	330
Size	177.8x101.6x107.315 mm
Bore Diameter	177,8 mm
Outer Diameter	101,6 mm
Width	107,315 mm
d	101.6 mm
D	177.8 mm
B	107.315 mm
C	85.725 mm
	9 °
d_k	164.465 mm
b	11 mm
b_1	10 mm
M	8 mm
r_1 - min.	2 mm
r_2 - min.	1.1 mm
d_a - min.	113 mm
d_a - max.	124.5 mm
D_a - min.	157 mm
D_a - max.	170.99 mm
r_a - max.	2 mm
r_b - max.	1.1 mm
Basic dynamic load rating - C	1120 kN
Basic static load rating - C_0	3400 kN
Specific factor dinamic load - K	100 N/mm ²
Specific factor static load - K_0	300 N/mm ²
Constant - K_M	330



NTN-SNR BEARING RULMENTI S.R.L.

Lubricant	Regular relubrication – grease
Design (sliding contact surface combination)	Steel/steel
Sealing solution	Double-lip seals
	9 °
d_k	164.465 mm
b_1	10 mm
r_1 min.	2 mm
r_2 min.	1.1 mm
d_a min.	113 mm
d_a max.	124.5 mm
D_a min.	157 mm
D_a max.	170.99 mm
r_a max.	2 mm
r_b max.	1.1 mm
Basic dynamic load rating C	1120 kN
Basic static load rating C_0	3400 kN
Specific dynamic load factor K	100 N/mm ²
Specific static load factor K_0	300 N/mm ²
Material constant K_M	330
Mass plain bearing	13.5 kg