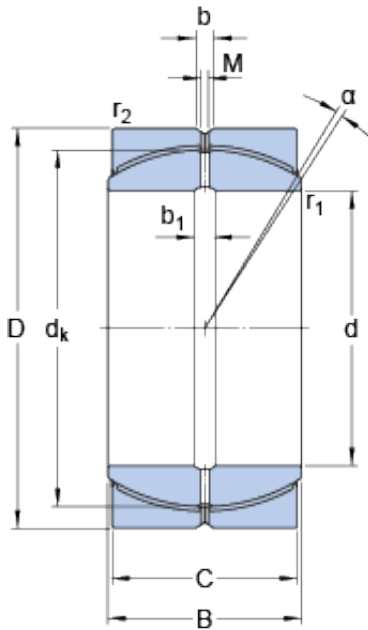




NTN-SNR BEARING RULMENTI S.R.L.



GEP 950 FS Bearing 2D drawings and 3D CAD models

950 mm x 1360 mm x 670 mm skf GEP 950 FS
Radial spherical plain bearings

Bearing No. GEP 950 FS

Size	1360x950x670 mm
Bore Diameter	1360 mm
Outer Diameter	950 mm
Width	670 mm
d	950 mm
D	1360 mm
B	670 mm
C	635 mm
	2 °
d _k	1242 mm
b	40 mm
b ₁	40 mm
M	15 mm
r ₁ - min.	4 mm
r ₂ - min.	7.5 mm
d _a - min.	993 mm
d _a - max.	1045 mm
D _a - min.	1156 mm
D _a - max.	1290 mm
r _a - max.	4 mm
r _b - max.	7.5 mm
Basic dynamic load rating - C	56000 kN
Basic static load rating - C ₀	85000 kN
Specific factor dinamic load - K	80 N/mm ²



NTN-SNR BEARING RULMENTI S.R.L.

Specific factor static load - K_0	120 N/mm ²
Constant - K_M	1055
Lubricant	Maintenance free – dry lubrication
Design (sliding contact surface combination)	Steel/PTFE FRP
Sealing solution	-
	2 °
d_k	1242 mm
b_1	40 mm
r_1 min.	4 mm
r_2 min.	7.5 mm
d_a min.	993 mm
d_a max.	1045 mm
D_a min.	1156 mm
D_a max.	1290 mm
r_a max.	4 mm
r_b max.	7.5 mm
Basic dynamic load rating C	56000 kN
Basic static load rating C_0	85000 kN
Specific dynamic load factor K	80 N/mm ²
Specific static load factor K_0	120 N/mm ²
Material constant K_M	1055
Mass plain bearing	3620 kg