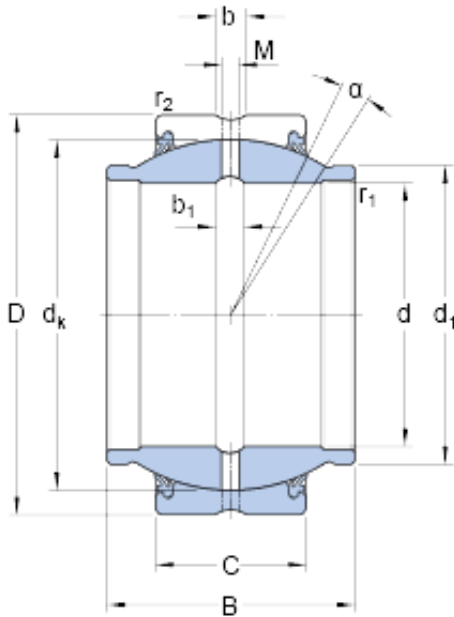




NTN-SNR BEARING RULMENTI S.R.L.



GEM 45 ES-2RS Bearing 2D drawings and 3D CAD models

45 mm x 68 mm x 40 mm skf GEM 45 ES-2RS
Radial spherical plain bearings

Bearing No. GEM 45 ES-2RS

Size	68x45x40 mm
Bore Diameter	68 mm
Outer Diameter	45 mm
Width	40 mm
d	45 mm
D	68 mm
B	40 mm
C	25 mm
	4 °
d _k	60 mm
d ₁	52 mm
b	4.6 mm
b ₁	4.6 mm
M	3 mm
r ₁ - min.	0.6 mm
r ₂ - min.	1 mm
d _a - min.	49.6 mm
d _a - max.	52 mm
D _a - min.	61 mm
D _a - max.	63.6 mm
r _a - max.	0.6 mm
r _b - max.	1 mm
Basic dynamic load rating - C	127 kN
Basic static load rating - C ₀	640 kN



NTN-SNR BEARING RULMENTI S.R.L.

Specific factor dinamic load - K	100 N/mm ²
Specific factor static load - K ₀	500 N/mm ²
Constant - K _M	330
Category	Spherical Plain Bearings - Radial
Inventory	0.0
Manufacturer Name	SKF
Minimum Buy Quantity	N/A
Weight / Kilogram	0.49
EAN	7316577106018
Product Group	B04264
Self Aligning	Yes
Rolling Element	Spherical Plain
Material - Outer Member	Steel
Material - Ball	Steel
Material - Liner	Not Applicable
Relubricatable	Yes
Enclosure	2 Seals
Other Features	2 Piece Extended Inner Ring on Both Sides Double Lip Seals Lubrication Hole and an Annular Groove in Both Rings
Long Description	45MM Bore; 25MM Housing Width; 68MM Outside Diameter; Spherical Plain; Steel Outer Member; Steel Ball; No Liner; 40MM Overall Width; Relubricatable
Inch - Metric	Metric
Category	Plain Bearings Spherical Radial
UNSPSC	31171515



NTN-SNR BEARING RULMENTI S.R.L.

Harmonized Tariff Code	8483.30.80.70
Noun	Bearing
Keyword 3	Spherical
Keyword String	Plain Spherical Radial
Manufacturer URL	http://www.skf.com
Manufacturer Item Number	GEM 45 ES-2RS
Weight / LBS	1.08
Housing Width	0.984 Inch 25 Millimeter
Bore	1.772 Inch 45 Millimeter
Outside Diameter	2.677 Inch 68 Millimeter
Overall Width	1.575 Inch 40 Millimeter
bore diameter:	45 mm
inner ring material:	Steel
outside diameter:	68 mm
outer ring width:	25 mm
misalignment angle:	4 °
overall width:	40 mm
inner ring width:	40 mm
radial static load capacity:	640 kN
bearing type:	Radial
radial dynamic load capacity:	127 kN
lubrication type:	Requires Lubrication
operating temperature range:	-30 to +130 ° C ° F
closure type:	Sealed
manufacturer upc number:	7316577106018
outer ring material:	Steel
Lubricant	Regular relubrication – grease
Design (sliding contact surface combination)	Steel/steel
Sealing solution	Double-lip seals



NTN-SNR BEARING RULMENTI S.R.L.

	4 °
d_k	60 mm
d_1	52 mm
b_1	4.6 mm
r_1 min.	0.6 mm
r_2 min.	1 mm
d_a min.	49.6 mm
d_a max.	52 mm
D_a min.	61 mm
D_a max.	63.6 mm
r_a max.	0.6 mm
r_b max.	1 mm
Basic dynamic load rating C	127 kN
Basic static load rating C_0	640 kN
Specific dynamic load factor K	100 N/mm ²
Specific static load factor K_0	500 N/mm ²
Material constant K_M	330
Mass plain bearing	0.49 kg