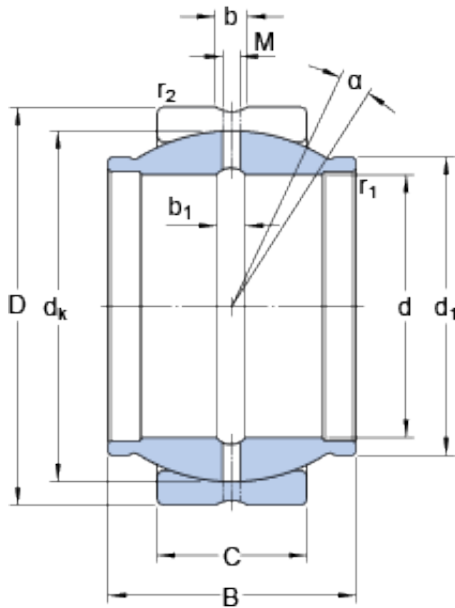




NTN-SNR BEARING RULMENTI S.R.L.

114.3 mm x 177.8 mm x 171.45 mm skf GEZM 408 ES Radial spherical plain bearings

Bearing No. GEZM 408 ES



GEZM 408 ES Bearing 2D drawings and 3D CAD models

Size	177.8x114.3x171.45 mm
Bore Diameter	177,8 mm
Outer Diameter	114,3 mm
Width	171,45 mm
d	114.3 mm
D	177.8 mm
B	171.45 mm
C	85.725 mm
	7 °
d _k	164.465 mm
d ₁	140.335 mm
b	11 mm
b ₁	10 mm
M	8 mm
r ₁ - min.	2 mm
r ₂ - min.	1.1 mm
d _a - min.	125.5 mm
d _a - max.	140.3 mm
D _a - min.	156.5 mm
D _a - max.	171 mm
r _a - max.	2 mm
r _b - max.	1.1 mm
Basic dynamic load rating - C	1120 kN
Basic static load rating - C ₀	3400 kN



NTN-SNR BEARING RULMENTI S.R.L.

Specific factor dynamic load - K	100 N/mm ²
Specific factor static load - K ₀	300 N/mm ²
Constant - K _M	330
Lubricant	Regular relubrication – grease
Design (sliding contact surface combination)	Steel/steel
Sealing solution	-
	7 °
d _k	164.465 mm
d ₁	140.335 mm
b ₁	10 mm
r ₁ min.	2 mm
r ₂ min.	1.1 mm
d _a min.	125.5 mm
d _a max.	140.3 mm
D _a min.	156.5 mm
D _a max.	171 mm
r _a max.	2 mm
r _b max.	1.1 mm
Basic dynamic load rating C	1120 kN
Basic static load rating C ₀	3400 kN
Specific dynamic load factor K	100 N/mm ²
Specific static load factor K ₀	300 N/mm ²
Material constant K _M	330
Mass plain bearing	13 kg