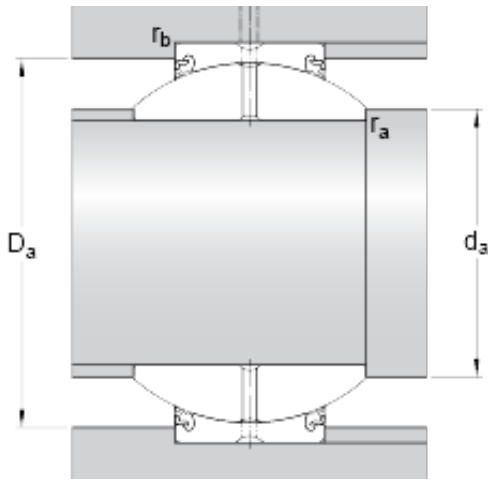




NTN-SNR BEARING RULMENTI S.R.L.



GEH 25 ESL-2LS Bearing 2D drawings and 3D CAD models

25 mm x 47 mm x 28 mm skf GEH 25 ESL-2LS Radial spherical plain bearings

Bearing No. GEH 25 ESL-2LS

Lubricant	Regular relubrication – grease
Design (sliding contact surface combination)	Steel/steel, heavy-duty bearing
Sealing solution	Triple-lip seals
d	25 mm
D	47 mm
B	28 mm
C	18 mm
	17 °
d _k	40.7 mm
b	3.1 mm
b ₁	3.1 mm
M	2 mm
r ₁ min.	0.6 mm
r ₂ min.	0.6 mm
d _a min.	28.6 mm
d _a max.	29.5 mm
D _a min.	41.3 mm
D _a max.	44 mm
r _a max.	0.6 mm
r _b max.	0.6 mm
Basic dynamic load rating C	62 kN
Basic static load rating C ₀	310 kN
Specific dynamic load factor K	100 N/mm ²



NTN-SNR BEARING RULMENTI S.R.L.

Specific static load factor K_0	500 N/mm ²
Material constant K_M	330
Mass plain bearing	0.2 kg