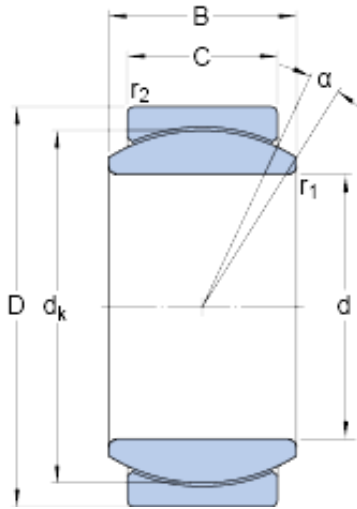




NTN-SNR BEARING RULMENTI S.R.L.



15 mm x 26 mm x 12 mm skf GE 15 TXGR
Radial spherical plain bearings

Bearing No. GE 15 TXGR

GE 15 TXGR Bearing 2D drawings and 3D CAD models

Size	26x15x12 mm
Bore Diameter	26 mm
Outer Diameter	15 mm
Width	12 mm
d	15 mm
D	26 mm
B	12 mm
C	9 mm
	8 °
d _k	22 mm
r ₁ - min.	0.3 mm
r ₂ - min.	0.3 mm
d _a - min.	16.9 mm
d _a - max.	18.4 mm
D _a - min.	20.9 mm
D _a - max.	24.3 mm
r _a - max.	0.3 mm
r _b - max.	0.3 mm
Basic dynamic load rating - C	47.5 kN
Basic static load rating - C ₀	80 kN
Specific factor dinamic load - K	300 N/mm ²
Specific factor static load - K ₀	500 N/mm ²
Category	Spherical Plain Bearings -



NTN-SNR BEARING RULMENTI S.R.L.

	Radial
Inventory	0.0
Manufacturer Name	SKF
Minimum Buy Quantity	N/A
Weight / Kilogram	0.03
EAN	7316572512555
Product Group	B04264
Self Aligning	Yes
Rolling Element	Spherical Plain
Material - Outer Member	Stainless Steel
Material - Ball	Stainless Steel
Material - Liner	Teflon
Relubricatable	No
Enclosure	Open
Other Features	2 Piece Corrosion Resistance Self Lubricating
Long Description	15MM Bore; 9MM Housing Width; 26MM Outside Diameter; Spherical Plain; Stainless Steel Outer Member; Stainless Steel Ball; Teflon Liner; 12MM Overall Width; Not Relubricatable
Inch - Metric	Metric
Category	Plain Bearings Spherical Radial
UNSPSC	31171515
Harmonized Tariff Code	8483.30.80.70
Noun	Bearing
Keyword 3	Spherical
Keyword String	Plain Spherical Radial
Manufacturer URL	http://www.skf.com
Manufacturer Item Number	GE 15 TXGR
Weight / LBS	0.071
Outside Diameter	1.024 Inch 26 Millimeter



NTN-SNR BEARING RULMENTI S.R.L.

Housing Width	0.354 Inch 9 Millimeter
Overall Width	0.472 Inch 12 Millimeter
Bore	0.591 Inch 15 Millimeter
bore diameter:	15 mm
inner ring material:	Steel
outside diameter:	26 mm
outer ring width:	9 mm
misalignment angle:	8 °
race material:	PTFE Composite
inner ring width:	12 mm
overall width:	12 mm
bearing type:	Radial
radial static load capacity:	80 kN
lubrication type:	Maintenance Free/Self-Lubricating
radial dynamic load capacity:	47.5 kN
closure type:	Open
operating temperature range:	-50 to +150 ° C ° F
outer ring material:	Chrome Steel
manufacturer upc number:	7316572512555
Lubricant	Maintenance free – dry lubrication
Design (sliding contact surface combination)	Steel/PTFE fabric
Sealing solution	-
	8 °
d _k	22 mm
r ₁ min.	0.3 mm
r ₂ min.	0.3 mm
d _a min.	16.9 mm
d _a max.	18.4 mm
D _a min.	20.9 mm



NTN-SNR BEARING RULMENTI S.R.L.

D_a max.	24.3 mm
r_a max.	0.3 mm
r_b max.	0.3 mm
Basic dynamic load rating C	47.5 kN
Basic static load rating C_0	80 kN
Specific dynamic load factor K	300 N/mm ²
Specific static load factor K_0	500 N/mm ²
Mass plain bearing	0.032 kg