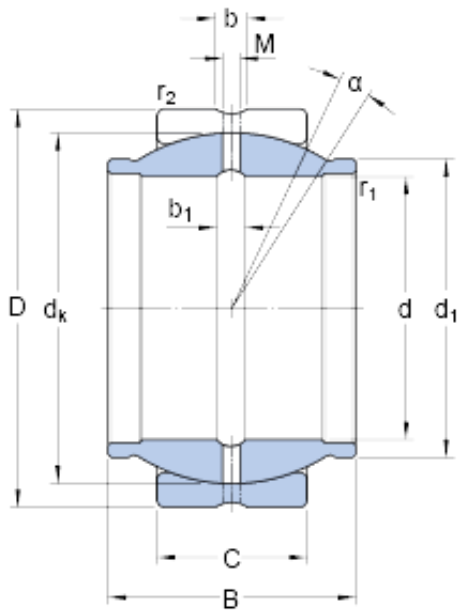




NTN-SNR BEARING RULMENTI S.R.L.

82.55 mm x 130.175 mm x 123.825 mm skf
GEZM 304 ES Radial spherical plain bearings

Bearing No. GEZM 304 ES



GEZM 304 ES Bearing 2D drawings and 3D CAD models

Size	130.175x82.55x123.825 mm
Bore Diameter	130,175 mm
Outer Diameter	82,55 mm
Width	123,825 mm
d	82.55 mm
D	130.175 mm
B	123.825 mm
C	61.9 mm
	9 °
d _k	118.745 mm
d ₁	101.219 mm
b	9.3 mm
b ₁	8 mm
M	6.5 mm
r ₁ - min.	1 mm
r ₂ - min.	1 mm
d _a - min.	89.4 mm
d _a - max.	101.2 mm
D _a - min.	112.8 mm
D _a - max.	124.4 mm
r _a - max.	1 mm
r _b - max.	1 mm
Basic dynamic load rating - C	585 kN
Basic static load rating - C ₀	1760 kN



NTN-SNR BEARING RULMENTI S.R.L.

Specific factor dynamic load - K	100 N/mm ²
Specific factor static load - K ₀	300 N/mm ²
Constant - K _M	330
Lubricant	Regular relubrication – grease
Design (sliding contact surface combination)	Steel/steel
Sealing solution	-
	9 °
d _k	118.745 mm
d ₁	101.219 mm
b ₁	8 mm
r ₁ min.	1 mm
r ₂ min.	1 mm
d _a min.	89.4 mm
d _a max.	101.2 mm
D _a min.	112.8 mm
D _a max.	124.4 mm
r _a max.	1 mm
r _b max.	1 mm
Basic dynamic load rating C	585 kN
Basic static load rating C ₀	1760 kN
Specific dynamic load factor K	100 N/mm ²
Specific static load factor K ₀	300 N/mm ²
Material constant K _M	330
Mass plain bearing	5 kg