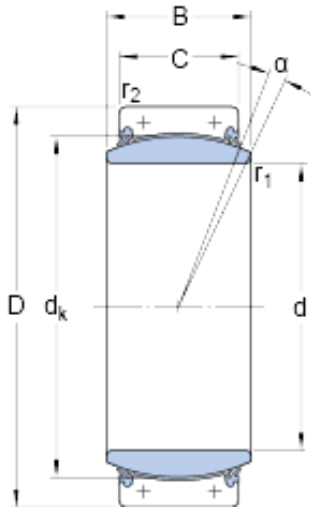




## NTN-SNR BEARING RULMENTI S.R.L.



460 mm x 620 mm x 218 mm skf GEC 460  
TXA-2RS Radial spherical plain bearings

Bearing No. GEC 460 TXA-2RS

GEC 460 TXA-2RS Bearing 2D drawings and 3D CAD models

Size	620x460x218 mm
Bore Diameter	620 mm
Outer Diameter	460 mm
Width	218 mm
d	460 mm
D	620 mm
B	218 mm
C	185 mm
	3 °
r <sub>1</sub> - min.	1.5 mm
r <sub>2</sub> - min.	4 mm
d <sub>a</sub> - min.	482 mm
d <sub>a</sub> - max.	494 mm
D <sub>a</sub> - min.	534 mm
D <sub>a</sub> - max.	587 mm
r <sub>a</sub> - max.	1.5 mm
r <sub>b</sub> - max.	4 mm
Basic dynamic load rating - C	27000 kN
Basic static load rating - C <sub>0</sub>	45000 kN
Specific factor dinamic load - K	300 N/mm <sup>2</sup>
Specific factor static load - K <sub>0</sub>	500 N/mm <sup>2</sup>
Lubricant	Maintenance free – dry lubrication



## NTN-SNR BEARING RULMENTI S.R.L.

Design (sliding contact surface combination)	Steel/PTFE fabric
Sealing solution	Double-lip seals
	3 °
$d_k$	540 mm
$r_1$ min.	1.5 mm
$r_2$ min.	4 mm
$d_a$ min.	482 mm
$d_a$ max.	494 mm
$D_a$ min.	534 mm
$D_a$ max.	587 mm
$r_a$ max.	1.5 mm
$r_b$ max.	4 mm
Basic dynamic load rating C	27000 kN
Basic static load rating $C_0$	45000 kN
Specific dynamic load factor K	300 N/mm <sup>2</sup>
Specific static load factor $K_0$	500 N/mm <sup>2</sup>
Mass plain bearing	200 kg